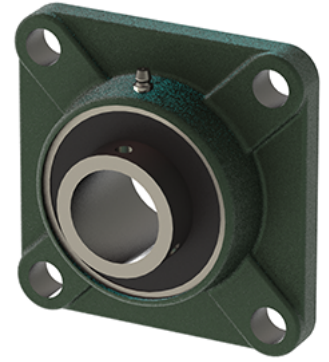
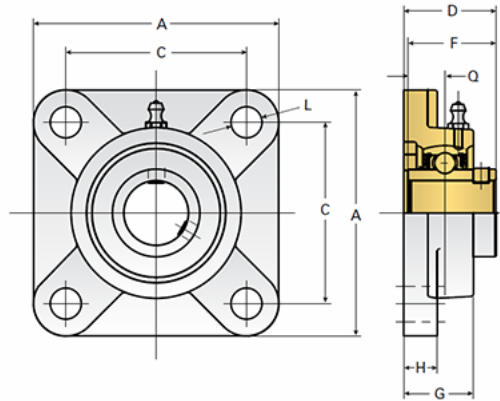


EZCF210

Call 800-321-7800 or visit us online at www.nookindustries.com to configure and order your EZCF210 today!



Details	
Bore Diameter [mm]	50
Dimensions	
A [mm]	143
C [mm]	111
D [mm]	564.6
F [mm]	51.6
G [mm]	40
H [mm]	16
L [mm]	16
Q [mm]	19
Product Compatibility Selection	
BSJ	-
MSJ	-
SS-MSJ	-
EM-BSJ	-
EM-MSJ	-
Bevel	-
Link Shafting	LJT-50