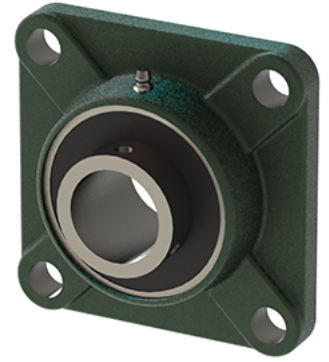
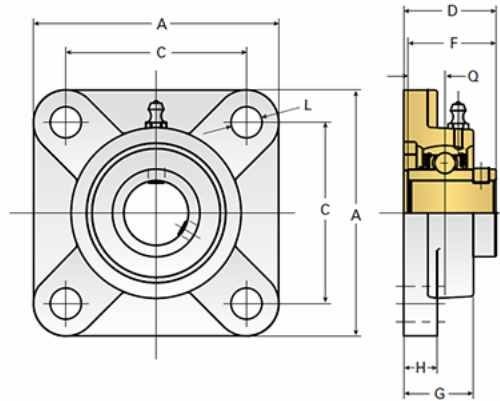


EZCF202-10

Call 800-321-7800 or visit us online at www.nookindustries.com to configure and order your EZCF202-10 today!



Details	
Bore Diameter [in]	0.63
Dimensions	
A [mm]	86
C [mm]	64
D [mm]	33.3
F [mm]	31
G [mm]	25.4
H [mm]	11
L [mm]	12
Q [mm]	12.7
Product Compatibility Selection	
BSJ	-
MSJ	2/2R/2.5-MSJ
SS-MSJ	2SS-MSJ
EM-BSJ	-
EM-MSJ	-
Bevel	-
Link Shafting	-