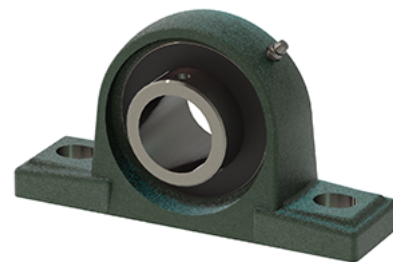
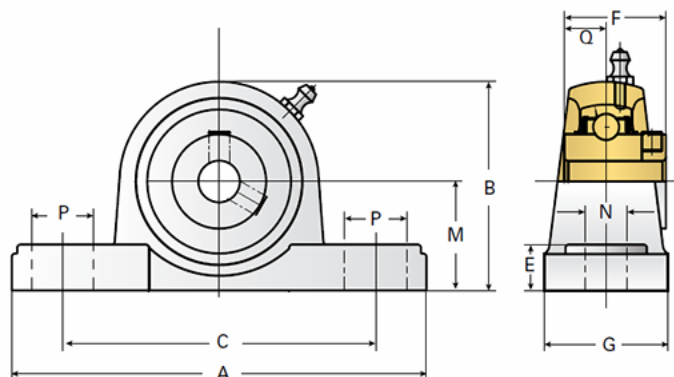


## EZCP205

Call 800-321-7800 or visit us online at [www.nookindustries.com](http://www.nookindustries.com) to configure and order your EZCP205 today!



### Details

Bore Diameter [mm] 25

### Dimensions

A [mm] 140  
 B [mm] 70  
 C [mm] 105  
 E [mm] 16  
 F [mm] 34  
 G [mm] 38  
 M [mm] 36.6  
 N [mm] 13  
 P [mm] 19  
 Q [mm] 14.3

### Product Compatibility Selection

BSJ 5/5HL/10/10HL-BSJ  
 MSJ -  
 SS-MSJ -  
 EM-BSJ EM5-BSJ  
 EM-MSJ EM5-MSJ  
 Bevel G2  
 Link Shafting -