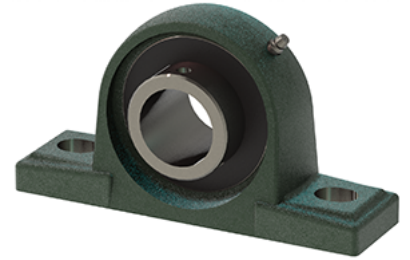
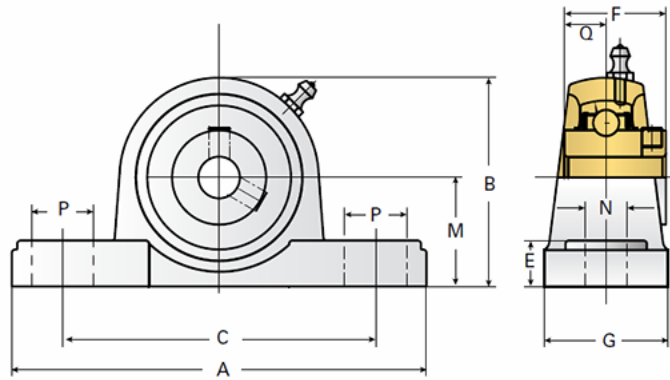


## EZCP204

Call 800-321-7800 or visit us online at [www.nookindustries.com](http://www.nookindustries.com) to configure and order your EZCP204 today!



### Details

Bore Diameter [mm] 20

### Dimensions

A [mm] 127  
 B [mm] 65  
 C [mm] 95  
 E [mm] 15  
 F [mm] 31  
 G [mm] 38  
 M [mm] 33.3  
 N [mm] 13  
 P [mm] 19  
 Q [mm] 12.7

### Product Compatibility Selection

BSJ 2.5/2.5HL-BSJ  
 MSJ -  
 SS-MSJ -  
 EM-BSJ EM2.5-BSJ  
 EM-MSJ -  
 Bevel G1  
 Link Shafting -