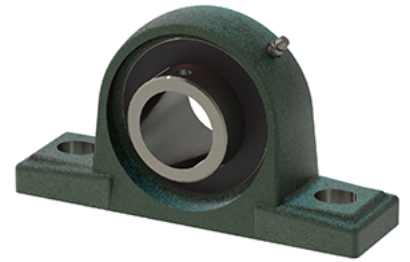
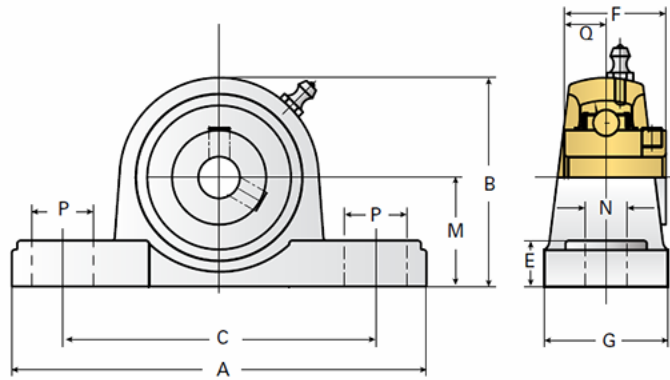


EZCP201-8

Call 800-321-7800 or visit us online at www.nookindustries.com to configure and order your EZCP201-8 today!



Details

Bore Diameter [in] 0.50

Dimensions

A [mm]	127
B [mm]	65
C [mm]	95
E [mm]	15
F [mm]	31
G [mm]	38
M [mm]	33.3
N [mm]	13
P [mm]	19
Q [mm]	12.7

Product Compatibility Selection

BSJ	-
MSJ	-
SS-MSJ	-
EM-BSJ	-
EM-MSJ	-
Bevel	-
Link Shafting	LJ/LJK-8