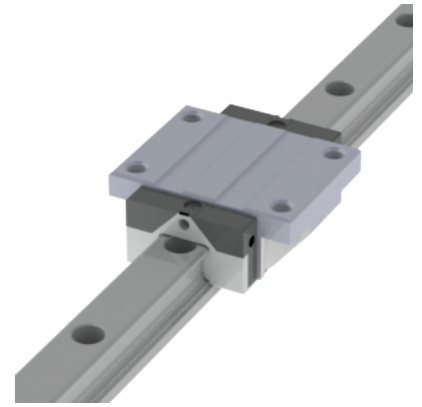
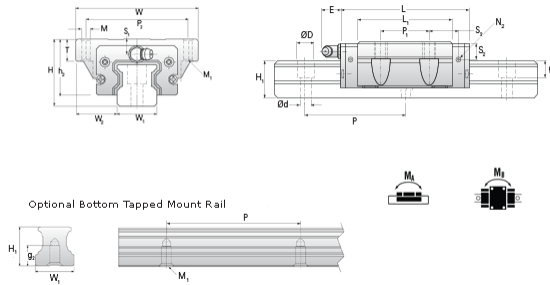


NHRC 30 FN Assembly

Call 800-321-7800 or visit us online at www.nookindustries.com to configure and order your NHRC 30 FN Assembly today!



Dimensions	
H [mm]	42
W2 [mm]	31
Standard Caged Ball Block Four Mounting Holes (Runner Block)Details	
Size [mm]	30
(Runner Block)Dimensions	
W [mm]	90
L [mm]	95.5
L1 [mm]	71.5
h2 [mm]	35.5
P1 [mm]	52
P2 [mm]	72
M1 [mm]	M8 Thru Bolt
M × g2	M10 × 15
T [mm]	16
N1	M6 × 8.5
N2	M6 × 5
N3 [O-Ring Seal]	P5
E [mm]	12
S1 [mm]	7.5
S2 [mm]	12
S3 [mm]	14.8
S4 [mm]	14.5
(Runner Block)Forces and Torques	
Basic Load Ratings C [kN]	32.8
Basic Load Ratings C0 [kN]	53.7
Static Moment Ratings-Ma [N-m]	565.0
Static Moment Ratings-Mb [N-m]	565.0
Static Moment Ratings-Mc [N-m]	845.0
(Runner Block)Weight	
Weight-Block [g]	1110
Caged Ball Rail Top Mount (Top Mount Rail)Details	
Size [mm]	30
(Top Mount Rail)Dimensions	
W1 [mm]	28
H1 [mm]	27
P [mm]	80
D [mm]	14
d1 [mm]	9
g1 [mm]	12
(Top Mount Rail)Weight	
Weights-Rail [g/m]	4380.0
Caged Ball Rail Bottom Tapped Mount (Bottom Mount Rail)Details	
Size [mm]	30
(Bottom Mount Rail)Dimensions	
W1 [mm]	28
H1 [mm]	27
P [mm]	80
M × g3	M8 x 15
(Bottom Mount Rail)Weight	
Weights-Rail [g/m]	4380.0