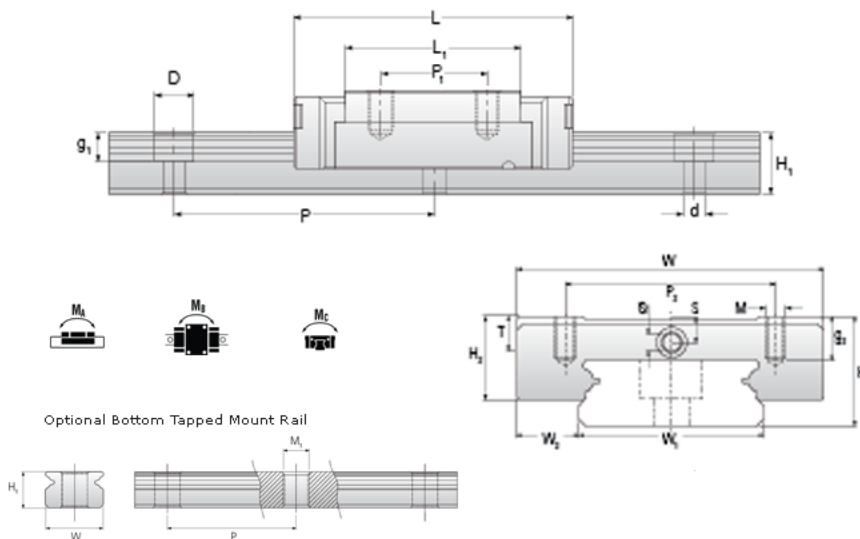
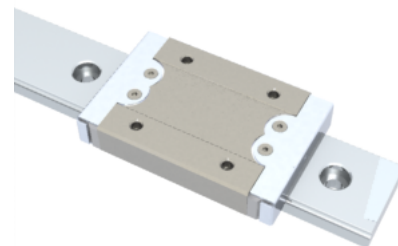


NMR 12WL UZ Assembly

Call 800-321-7800 or visit us online at www.nookindustries.com to configure and order your NMR 12WL UZ Assembly today!



Dimensions	
H [mm]	14
W2 [mm]	8
Wide Miniature Block Four Mounting Holes (Runner Block)Details	
Size [mm]	12
(Runner Block)Dimensions	
W [mm]	40
L [mm]	60.8
L1 [mm]	46
h2 [mm]	11
P1 [mm]	28
P2 [mm]	28
M × g2	M3 × 3.5
Ø [mm]	1.3
S [mm]	3.1
T [mm]	4.5
(Runner Block)Forces and Torques	
Basic Load Ratings C [N]	4070
Basic Load Ratings C0 [N]	7800
Static Moment Ratings-Ma [N-m]	95.6
Static Moment Ratings-Mb [N-m]	56.4
Static Moment Ratings-Mc [N-m]	56.4
(Runner Block)Weight	
Weight-Block [g]	96
Wide Miniature Rail Top Mount Single Row (Top Mount Rail)Details	
Size [mm]	12
(Top Mount Rail)Dimensions	
H [mm]	14
W1 [mm]	24
H1 [mm]	8.5
P [mm]	40
D [mm]	8
d1 [mm]	4.5
g1 [mm]	4.5
(Top Mount Rail)Weight	
Weights-Rail [g/m]	1472.0
Wide Miniature Rail Bottom Tapped Mount Single Row (Bottom Mount Rail)Details	
Size [mm]	12
(Bottom Mount Rail)Dimensions	
H1 [mm]	9.5
W1 [mm]	42
P [mm]	40
M1	M5 x 0.8
(Bottom Mount Rail)Weight	
Weights-Rail [g/m]	1472.0