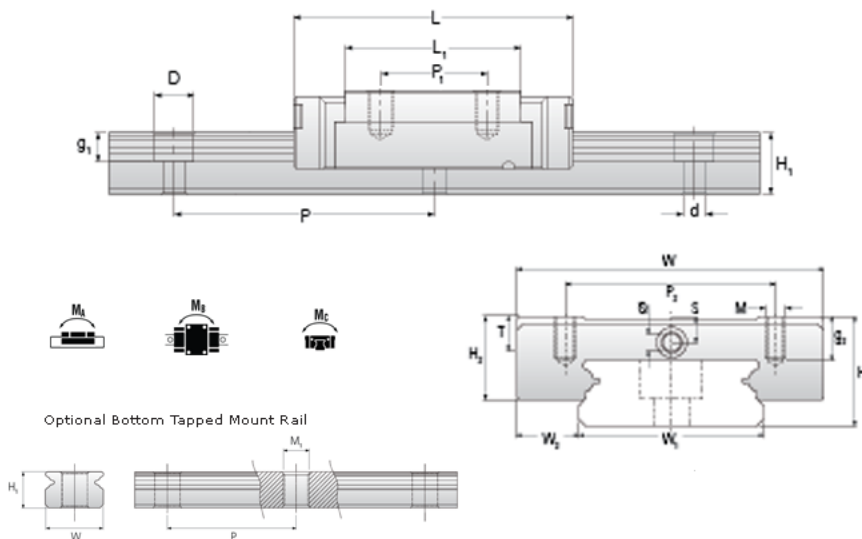
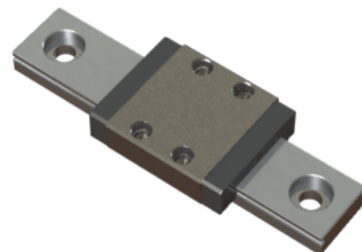


NMR 5WN SS Assembly

Call 800-321-7800 or visit us online at www.nookindustries.com to configure and order your NMR 5WN SS Assembly today!



Dimensions

H [mm]	6.5
W2 [mm]	3.5

Wide Miniature Block Four Mounting Holes (Runner Block)Details

Size [mm]	5
-----------	---

(Runner Block)Dimensions

W [mm]	17
L [mm]	21.1
L1 [mm]	15.1
h2 [mm]	5
P1 [mm]	6.5
P2 [mm]	13
M × g2	M2.5 × 1.5
Ø [mm]	0.9
S [mm]	1.2
T [mm]	2.3

(Runner Block)Forces and Torques

Basic Load Ratings C [N]	475
Basic Load Ratings C0 [N]	900
Static Moment Ratings-Ma [N-m]	2.2
Static Moment Ratings-Mb [N-m]	2.2
Static Moment Ratings-Mc [N-m]	4.6

(Runner Block)Weight

Weight-Block [g]	6
------------------	---

Wide Miniature Rail Top Mount Single Row (Top Mount Rail)Details

Size [mm]	5
-----------	---

(Top Mount Rail)Dimensions

H [mm]	6.5
W1 [mm]	10
H1 [mm]	4
P [mm]	20
D [mm]	5.5
d1 [mm]	3
g1 [mm]	1.6

(Top Mount Rail)Weight

Weights-Rail [g/m]	280.0
--------------------	-------

Wide Miniature Rail Bottom Tapped Mount Single Row (Bottom Mount Rail)Details

Size [mm]	5
-----------	---

(Bottom Mount Rail)Dimensions

H1 [mm]	5.2
W1 [mm]	14
P [mm]	30
M1	M4 x 0.7

(Bottom Mount Rail)Weight

Weights-Rail [g/m]	280.0
--------------------	-------