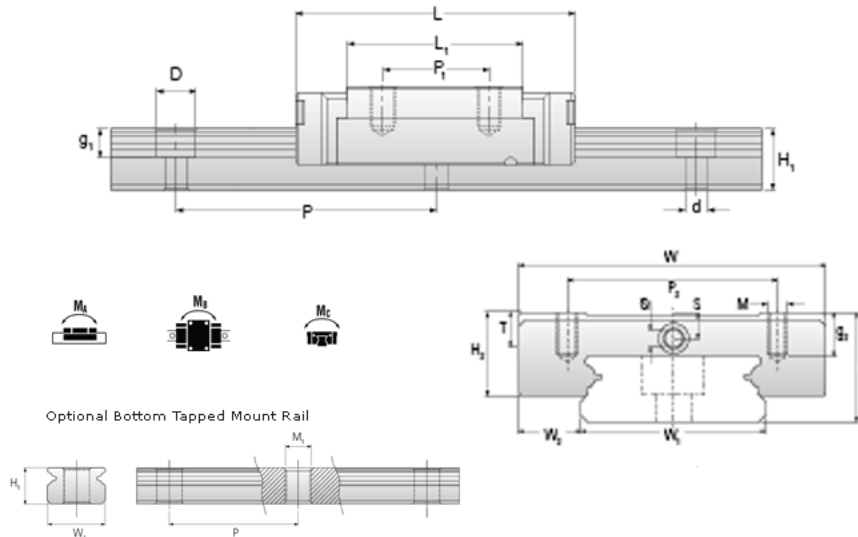
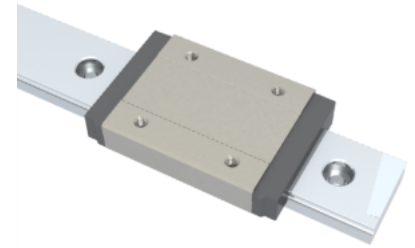


NMR 12WL SU Assembly

Call 800-321-7800 or visit us online at www.nookindustries.com to configure and order your NMR 12WL SU Assembly today!



Dimensions

H [mm]	14
W2 [mm]	8

Wide Miniature Block Four Mounting Holes (Runner Block)Details

Size [mm]	12
-----------	----

(Runner Block)Dimensions

W [mm]	40
L [mm]	59.4
L1 [mm]	46
h2 [mm]	10.4
P1 [mm]	28
P2 [mm]	28
M × g2	M3 × 3.5
Ø [mm]	1.3
S [mm]	3.1
T [mm]	4.5

(Runner Block)Forces and Torques

Basic Load Ratings C [N]	4070
Basic Load Ratings C0 [N]	7800
Static Moment Ratings-Ma [N-m]	56.4
Static Moment Ratings-Mb [N-m]	56.4
Static Moment Ratings-Mc [N-m]	95.6

(Runner Block)Weight

Weight-Block [g]	93
------------------	----

Wide Miniature Rail Top Mount Single Row (Top Mount Rail)Details

Size [mm]	12
-----------	----

(Top Mount Rail)Dimensions

H [mm]	14
W1 [mm]	24
H1 [mm]	8.5
P [mm]	40
D [mm]	8
d1 [mm]	4.5
g1 [mm]	4.5

(Top Mount Rail)Weight

Weights-Rail [g/m]	1472.0
--------------------	--------

Wide Miniature Rail Bottom Tapped Mount Single Row (Bottom Mount Rail)Details

Size [mm]	12
-----------	----

(Bottom Mount Rail)Dimensions

H1 [mm]	9.5
W1 [mm]	42
P [mm]	40
M1	M5 x 0.8

(Bottom Mount Rail)Weight

Weights-Rail [g/m]	1472.0
--------------------	--------