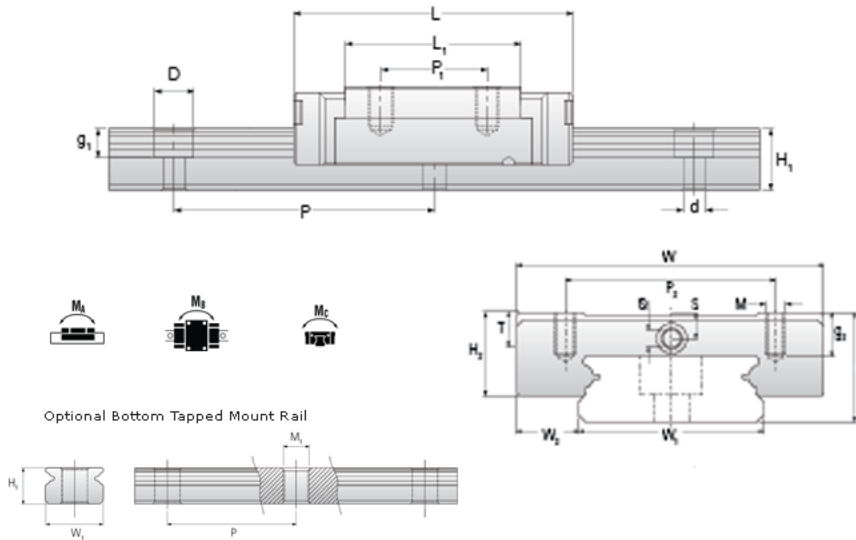
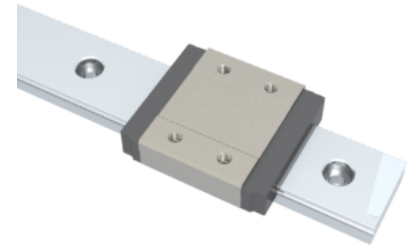


## NMR 12WN SU Assembly

Call 800-321-7800 or visit us online at [www.nookindustries.com](http://www.nookindustries.com) to configure and order your NMR 12WN SU Assembly today!



### Dimensions

|         |    |
|---------|----|
| H [mm]  | 14 |
| W2 [mm] | 8  |

### Wide Miniature Block Four Mounting Holes (Runner Block)Details

|           |    |
|-----------|----|
| Size [mm] | 12 |
|-----------|----|

### (Runner Block)Dimensions

|         |          |
|---------|----------|
| W [mm]  | 40       |
| L [mm]  | 44.4     |
| L1 [mm] | 31       |
| h2 [mm] | 10.4     |
| P1 [mm] | 15       |
| P2 [mm] | 28       |
| M × g2  | M3 × 3.5 |
| Ø [mm]  | 1.3      |
| S [mm]  | 3.1      |
| T [mm]  | 4.5      |

### (Runner Block)Forces and Torques

|                                |      |
|--------------------------------|------|
| Basic Load Ratings C [N]       | 3065 |
| Basic Load Ratings C0 [N]      | 5200 |
| Static Moment Ratings-Ma [N-m] | 26.3 |
| Static Moment Ratings-Mb [N-m] | 26.3 |
| Static Moment Ratings-Mc [N-m] | 63.7 |

### (Runner Block)Weight

|                  |    |
|------------------|----|
| Weight-Block [g] | 65 |
|------------------|----|

### Wide Miniature Rail Top Mount Single Row (Top Mount Rail)Details

|           |    |
|-----------|----|
| Size [mm] | 12 |
|-----------|----|

### (Top Mount Rail)Dimensions

|         |     |
|---------|-----|
| H [mm]  | 14  |
| W1 [mm] | 24  |
| H1 [mm] | 8.5 |
| P [mm]  | 40  |
| D [mm]  | 8   |
| d1 [mm] | 4.5 |
| g1 [mm] | 4.5 |

### (Top Mount Rail)Weight

|                    |        |
|--------------------|--------|
| Weights-Rail [g/m] | 1472.0 |
|--------------------|--------|

### Wide Miniature Rail Bottom Tapped Mount Single Row (Bottom Mount Rail)Details

|           |    |
|-----------|----|
| Size [mm] | 12 |
|-----------|----|

### (Bottom Mount Rail)Dimensions

|         |          |
|---------|----------|
| H1 [mm] | 9.5      |
| W1 [mm] | 42       |
| P [mm]  | 40       |
| M1      | M5 x 0.8 |

### (Bottom Mount Rail)Weight

|                    |        |
|--------------------|--------|
| Weights-Rail [g/m] | 1472.0 |
|--------------------|--------|