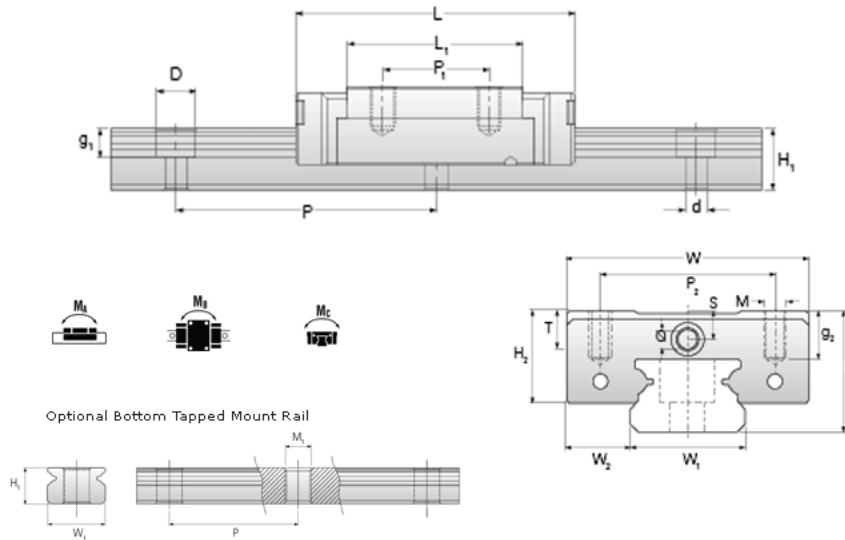
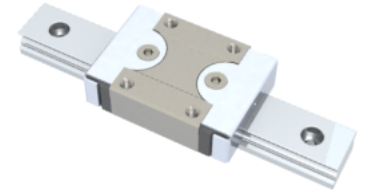


NMR 15MN EE Assembly

Call 800-321-7800 or visit us online at www.nookindustries.com to configure and order your NMR 15MN EE Assembly today!



Dimensions

H [mm]	16
W2 [mm]	8.5

Standard Miniature Block Four Mounting Holes (Runner Block)Details

Size [mm]	15
-----------	----

(Runner Block)Dimensions

W [mm]	32
L [mm]	44.6
L1 [mm]	27
h2 [mm]	12.8
P1 [mm]	20
P2 [mm]	25
M × g2	M3 × 5.5
Ø [mm]	1.8
S [mm]	3.3
T [mm]	4.3

(Runner Block)Forces and Torques

Basic Load Ratings C [N]	3810
Basic Load Ratings C0 [N]	5590
Static Moment Ratings-Ma [N-m]	27.0
Static Moment Ratings-Mb [N-m]	27.0
Static Moment Ratings-Mc [N-m]	43.6

(Runner Block)Weight

Weight-Block [g]	61
------------------	----

Standard Miniature Rail Top Mount

(Top Mount Rail)Details

Size [mm]	15
-----------	----

(Top Mount Rail)Dimensions

H [mm]	16
W1 [mm]	15
H1 [mm]	9.5
P [mm]	40
D [mm]	6
d1 [mm]	3.5
g1 [mm]	4.5

(Top Mount Rail)Weight

Weights-Rail [g/m]	930.0
--------------------	-------

Standard Miniature Rail Bottom Tapped Mount

(Bottom Mount Rail)Details

Size [mm]	15
-----------	----

(Bottom Mount Rail)Dimensions

H1 [mm]	9.5
W1 [mm]	15
P [mm]	40
M1	M4 x 0.7

(Bottom Mount Rail)Weight

Weights-Rail [g/m]	930.0
--------------------	-------