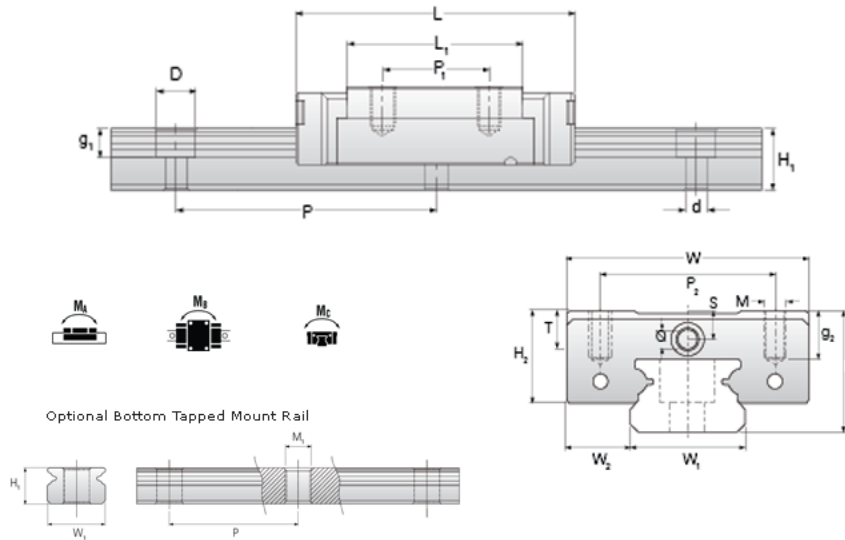
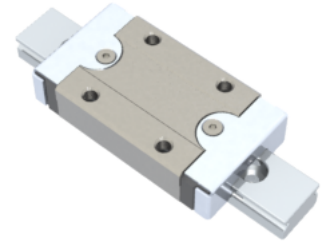


## NMR 12ML ZUE Assembly

Call 800-321-7800 or visit us online at [www.nookindustries.com](http://www.nookindustries.com) to configure and order your NMR 12ML ZUE Assembly today!



<b>Dimensions</b>	
H [mm]	13
W2 [mm]	7.5
<b>Standard Miniature Block Four Mounting Holes (Runner Block)Details</b>	
Size [mm]	12
<b>(Runner Block)Dimensions</b>	
W [mm]	27
L [mm]	49
L1 [mm]	34
h2 [mm]	10.8
P1 [mm]	20
P2 [mm]	20
M × g2	M3 × 3.5
Ø [mm]	1.3
S [mm]	3.2
T [mm]	4.3
<b>(Runner Block)Forces and Torques</b>	
Basic Load Ratings C [N]	3240
Basic Load Ratings C0 [N]	5630
Static Moment Ratings-Ma [N-m]	30.2
Static Moment Ratings-Mb [N-m]	30.2
Static Moment Ratings-Mc [N-m]	34.9
<b>(Runner Block)Weight</b>	
Weight-Block [g]	51
<b>Standard Miniature Rail Top Mount (Top Mount Rail)Details</b>	
Size [mm]	12
<b>(Top Mount Rail)Dimensions</b>	
H [mm]	13
W1 [mm]	12
H1 [mm]	7.5
P [mm]	25
D [mm]	6
d1 [mm]	3.5
g1 [mm]	4.5
<b>(Top Mount Rail)Weight</b>	
Weights-Rail [g/m]	602.0
<b>Standard Miniature Rail Bottom Tapped Mount (Bottom Mount Rail)Details</b>	
Size [mm]	12
<b>(Bottom Mount Rail)Dimensions</b>	
H1 [mm]	7.5
W1 [mm]	12
P [mm]	25
M1	M4 x 0.7
<b>(Bottom Mount Rail)Weight</b>	
Weights-Rail [g/m]	602.0