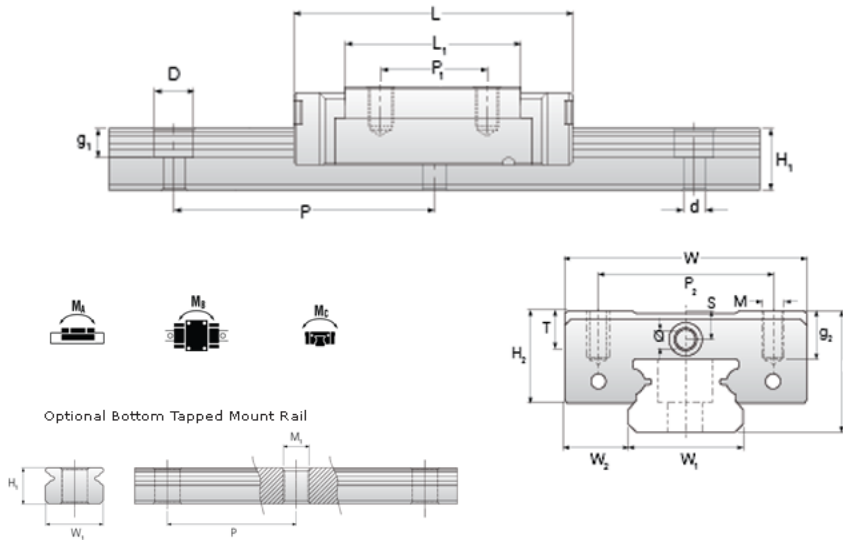
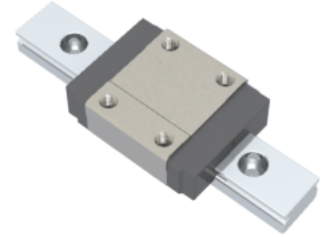


NMR 12MN SS Assembly

Call 800-321-7800 or visit us online at www.nookindustries.com to configure and order your NMR 12MN SS Assembly today!



Dimensions

H [mm]	13
W2 [mm]	7.5

Standard Miniature Block Four Mounting Holes (Runner Block)Details

Size [mm]	12
-----------	----

(Runner Block)Dimensions

W [mm]	27
L [mm]	35.4
L1 [mm]	22
h2 [mm]	10
P1 [mm]	15
P2 [mm]	20
M × g2	M3 × 3.5
Ø [mm]	1.3
S [mm]	3.2
T [mm]	4.3

(Runner Block)Forces and Torques

Basic Load Ratings C [N]	2308
Basic Load Ratings C0 [N]	3465
Static Moment Ratings-Ma [N-m]	12.9
Static Moment Ratings-Mb [N-m]	12.9
Static Moment Ratings-Mc [N-m]	21.5

(Runner Block)Weight

Weight-Block [g]	34
------------------	----

Standard Miniature Rail Top Mount

(Top Mount Rail)Details

Size [mm]	12
-----------	----

(Top Mount Rail)Dimensions

H [mm]	13
W1 [mm]	12
H1 [mm]	7.5
P [mm]	25
D [mm]	6
d1 [mm]	3.5
g1 [mm]	4.5

(Top Mount Rail)Weight

Weights-Rail [g/m]	602.0
--------------------	-------

Standard Miniature Rail Bottom Tapped Mount

(Bottom Mount Rail)Details

Size [mm]	12
-----------	----

(Bottom Mount Rail)Dimensions

H1 [mm]	7.5
W1 [mm]	12
P [mm]	25
M1	M4 x 0.7

(Bottom Mount Rail)Weight

Weights-Rail [g/m]	602.0
--------------------	-------