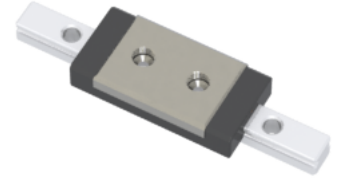
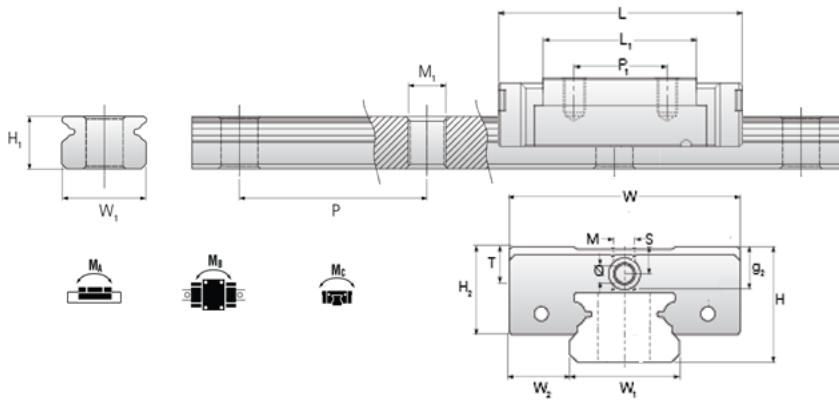


## NMRU 3ML SS Assembly

Call 800-321-7800 or visit us online at [www.nookindustries.com](http://www.nookindustries.com) to configure and order your NMRU 3ML SS Assembly today!



<b>Dimensions</b>	
H [mm]	4
W2 [mm]	2.5
<b>Standard Miniature Block Two Axial Mounting Holes (Runner Block)Details</b>	
Size [mm]	3
<b>(Runner Block)Dimensions</b>	
W [mm]	8
L [mm]	16
L1 [mm]	10
h2 [mm]	3
P1 [mm]	5.5
M × g2	M2 × 1.1
∅	0.3
S	0.7
T	1.5
<b>(Runner Block)Forces and Torques</b>	
Basic Load Ratings C [N]	295
Basic Load Ratings C0 [N]	575
Static Moment Ratings-Ma [N-m]	1.1
Static Moment Ratings-Mb [N-m]	1.1
Static Moment Ratings-Mc [N-m]	0.9
<b>(Runner Block)Weight</b>	
Weight-Block [g]	1.2
<b>Standard Miniature Rail Bottom Tapped Mount (Top Mount Rail)Details</b>	
Size [mm]	3
<b>(Top Mount Rail)Dimensions</b>	
H1 [mm]	2.6
W1 [mm]	3
P [mm]	10
M1	M1.6 x 0.35
<b>(Top Mount Rail)Weight</b>	
Weights-Rail [g/m]	53.0