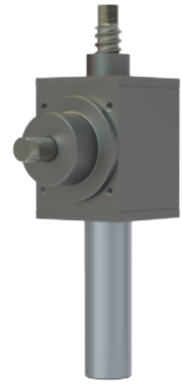
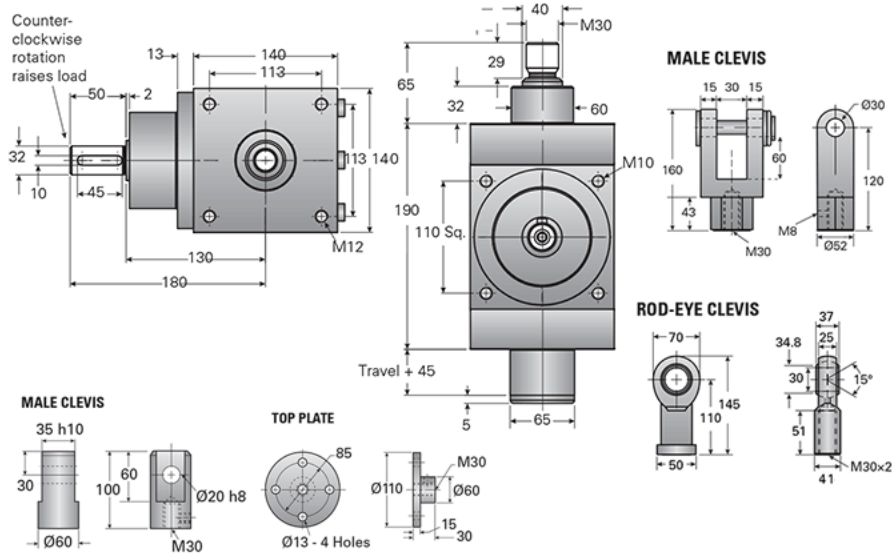


## G2-BSJ-U 3:1

Call 800-321-7800 or visit us online at [www.nookindustries.com](http://www.nookindustries.com) to configure and order your G2-BSJ-U 3:1 today!



### Details

|                                 |      |
|---------------------------------|------|
| Capacity [kN]                   | 50   |
| Gear Ratio                      | 3:1  |
| Raise for One Turn of Worm [mm] | 1.60 |
| Torque to Raise 1 kN [Nm]       | 0.34 |
| Tare Drag Torque [Nm]           | 2.20 |
| Lifting Screw Diameter [mm]     | 40   |
| Screw Lead [mm]                 | 5    |
| BackDrive Holding Torque [Nm]   | 5.44 |

### Performance Specifications

|                           |      |
|---------------------------|------|
| Maximum Input Torque [Nm] | 175  |
| Dynamic Load Ca [kN]      | 23.8 |

### Weight

|                          |       |
|--------------------------|-------|
| Base 0 Travel [kg]       | 15.90 |
| Per 100mm of Travel [kg] | 0.81  |
| Grease [kg]              | 0.45  |