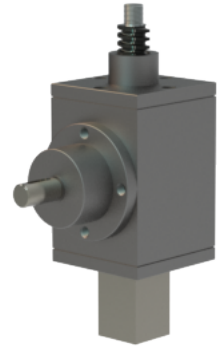
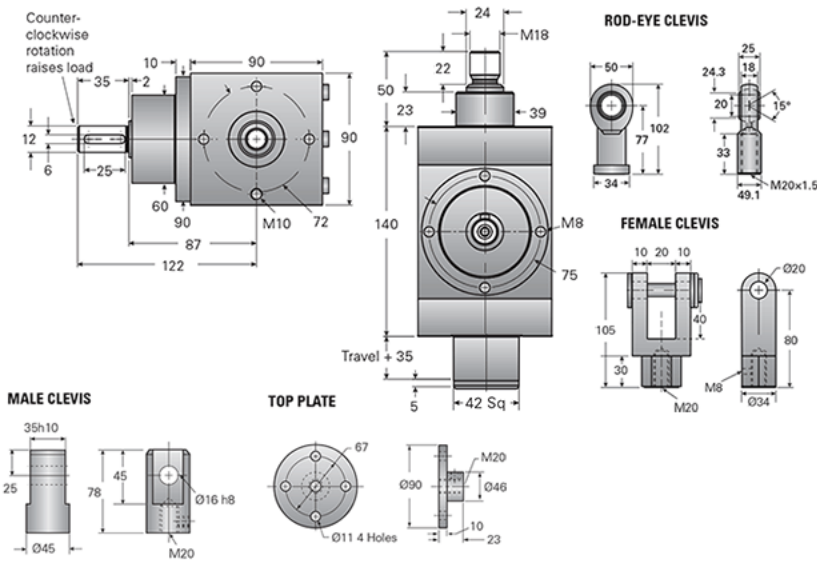


G1-MSJ-UK 3:1

Call 800-321-7800 or visit us online at www.nookindustries.com to configure and order your G1-MSJ-UK 3:1 today!



Details

Capacity [kN]	20.6
Gear Ratio	3:1
Raise for One Turn of Worm [mm]	1.60
Torque to Raise 1 kN [Nm]	0.57
Tare Drag Torque [Nm]	1.70
Lifting Screw Diameter [mm]	24
Screw Lead [mm]	5
BackDrive Holding Torque [Nm]	0.16

Performance Specifications

Maximum Input Torque [Nm]	50
---------------------------	----

Weight

Base 0 Travel [kg]	7.70
Per 100mm of Travel [kg]	0.32
Grease [kg]	0.22