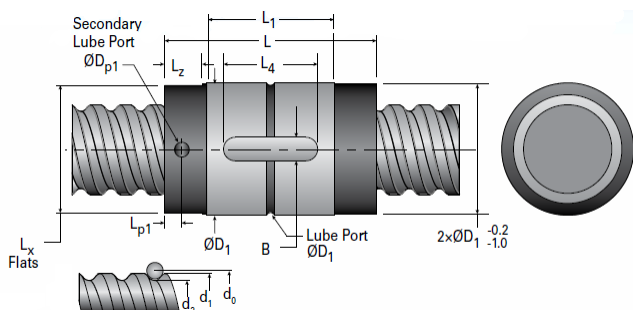


MBN40x5R-5CW

Call 800-321-7800 or visit us online at www.nookindustries.com to configure and order your MBN40x5R-5CW today!



Product Info

| | |
|---------------------------|-------|
| Nominal Rod Diameter [mm] | 40 |
| Material | Alloy |
| Thread Direction | RH |

Details

| | |
|-------------------------------|-------|
| Lead [mm] | 5 |
| Active Turns | 5 |
| Nominal Ball Dia. [mm] | 3.500 |
| Screw Weight [kg/m] | 8.82 |
| Nut Weight [kg] | 0.42 |
| End Code for Types 1,2, and 3 | 30 |
| End Code for Types 4 | 19 |
| End Code for Types 5 | 25 |
| End Code for Types 6 | 30 |
| End Code for Types 7 | 30 |

Performance Specifications

| | |
|--|-------|
| Dynamic Load Ca [N] | 25170 |
| Static Load [N] | 70660 |
| Linear Speed (Based on DN Values) [mm/min] | 8800 |

Screw Dimensions

| | |
|---------|-------|
| d0 [mm] | 40 |
| d1 [mm] | 39.26 |
| d2 [mm] | 36.38 |

Nut Dimensions

| | |
|--------------|----|
| D1 (g6) [mm] | 56 |
| L1 [mm] | 34 |
| Dp [mm] | 3 |
| Lp1 [mm] | - |
| Dp1 [mm] | - |
| L [mm] | 54 |
| Lx [mm] | 54 |
| Lz [mm] | 8 |
| L4 [mm] | 20 |
| B (P9) [mm] | 5 |