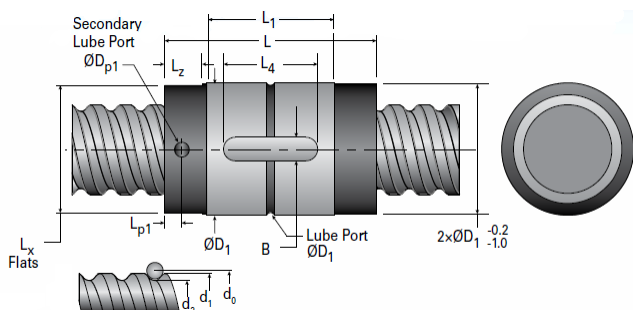


MBN25x10R-4CW

Call 800-321-7800 or visit us online at www.nookindustries.com to configure and order your MBN25x10R-4CW today!



Product Info

Nominal Rod Diameter [mm]	25
Material	Alloy
Thread Direction	RH

Details

Lead [mm]	10
Active Turns	4
Nominal Ball Dia. [mm]	3.000
Screw Weight [kg/m]	3.32
Nut Weight [kg]	0.26
End Code for Types 1,2, and 3	20
End Code for Types 4	12
End Code for Types 5	20
End Code for Types 6	20
End Code for Types 7	20

Performance Specifications

Dynamic Load Ca [N]	13880
Static Load [N]	30940
Linear Speed (Based on DN Values) [mm/min]	28000

Screw Dimensions

d0 [mm]	25
d1 [mm]	23.98
d2 [mm]	21.90

Nut Dimensions

D1 (g6) [mm]	38
L1 [mm]	64
Dp [mm]	1
Lp1 [mm]	12
Dp1 [mm]	4
L [mm]	64
Lx [mm]	36
Lz [mm]	10
L4 [mm]	20
B (P9) [mm]	5