

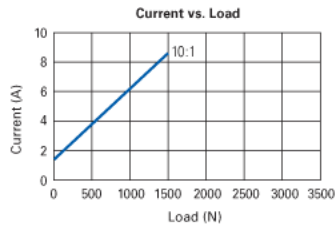
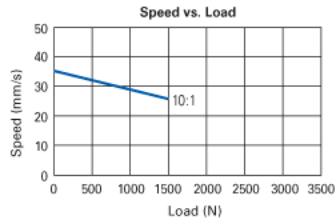
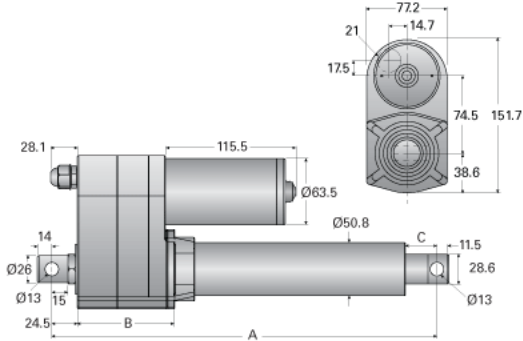
## ND8-24-10-A

Call 800-321-7800 or visit us online at [www.nookindustries.com](http://www.nookindustries.com) to configure and order your ND8-24-10-A today!



Travel (in)	Retracted Length A ( $\pm 3.8\text{mm}$ )							B	C
	4	6	8	10	12	18	24		
Travel ( $\pm 5\text{mm}$ )	102	153	203	254	305	457	610	—	—
<b>Standard</b>	262	313	364	415	465	668	821	64.3	17.5
<b>With Potentiometer</b>	302	353	404	455	506	708	861	104.5	17.5
<b>With Limit Switch*</b>	359	410	460	511	613	785	918	104.5	23.5

\* with or without potentiometer



### Product Info

Screw Type

Acme Screw

### Details

Voltage [VDC]

24

Gear Ratio

10:1

Speed At No Load [mm/s]

33.5

Speed At Full Load [mm/s]

26.7

Load Capacity Dynamic Load [N]

1500

Load Capacity Static Load [N]

4500

Amps

9

### Performance Specifications

Duty Cycle [% of 5 Minutes]

25

Rated Cycles At Full Load

10000

Protection Class

IP65