

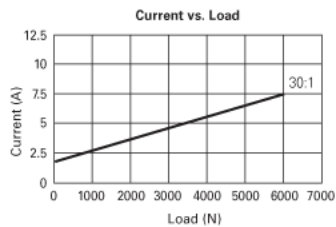
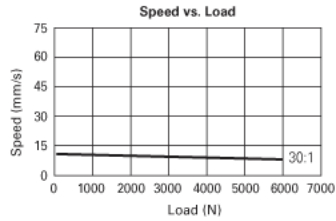
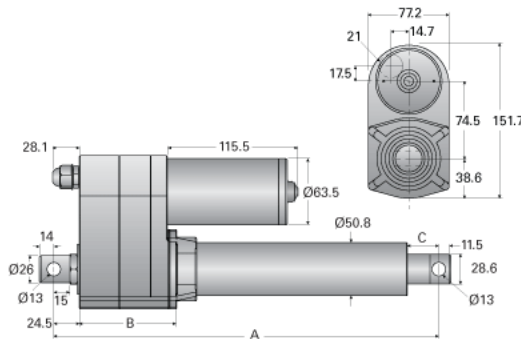
## ND8-24-30-B

Call 800-321-7800 or visit us online at [www.nookindustries.com](http://www.nookindustries.com) to configure and order your ND8-24-30-B today!



Travel (in)	Retracted Length A ( $\pm 3.8\text{mm}$ )							B	C
	4	6	8	10	12	18	24		
Travel ( $\pm 5\text{mm}$ )	102	153	203	254	305	457	610	—	—
<b>Standard</b>	302	353	404	455	506	735	888	64.3	17.5
<b>With Potentiometer</b>	342	393	444	495	546	775	928	104.5	17.5
<b>With Limit Switch*</b>	399	450	501	552	603	832	985	104.5	23.5

\* with or without potentiometer



### Product Info

Screw Type

Ball Screw

### Details

Voltage [VDC]

24

Gear Ratio

30:1

Speed At No Load [mm/s]

11

Speed At Full Load [mm/s]

10

Load Capacity Dynamic Load [N]

6000

Load Capacity Static Load [N]

13600

Amps

7.5

### Performance Specifications

Duty Cycle [% of 5 Minutes]

25

Rated Cycles At Full Load

10000

Protection Class

IP65