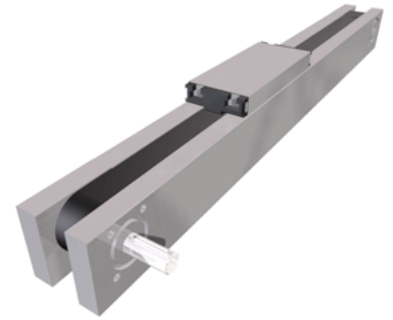
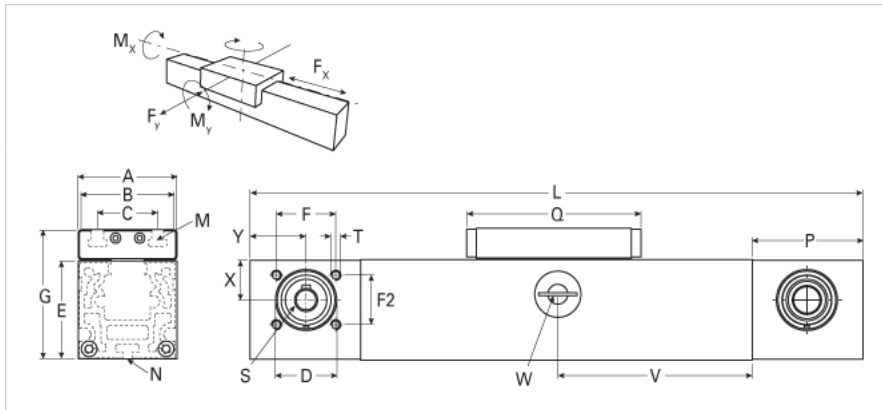


QSIZE 80

Call 800-321-7800 or visit us online at www.nookindustries.com to configure and order your QSIZE 80 today!



Details	
Size	80
Belt	8M30
mm/Rev	176
Number of Teeth	22
Pully Diameter [mm]	56.0
Dimensions	
Basic Length L [mm]	440
A [mm]	81
B [mm]	80
C [mm]	50
D [mm]	55
E [mm]	81
F [mm]	50
F2 [mm]	50
G [mm]	107
M	M8
N	M6
P [mm]	95
Q [mm]	232
T	M8
X [mm]	32.5
Y [mm]	47
Shaft Diameter and Length [mm]	18 x 45
Key	6x6x40
Speed	
Speed Maximum [m/s]	5
Forces and Torques	
No-load torque [Nm]	1.4
Fx [N] 10000 km	1800
Fy [N] 10000 km	2250
Fz [N] 10000 km	6050
Mx [Nm] 10000 km	75
My [Nm] 10000 km	222
Mz [Nm] 10000 km	210
Fx [N] 5000 km	1900
Fy [N] 5000 km	3570
Fz [N] 5000 km	8500
Mx [Nm] 5000 km	107
My [Nm] 5000 km	310
Mz [Nm] 5000 km	296
Tensile force 0.2 sec [N]	2090
Tensile force permanent [N]	1900
Geometrical moments of inertia of aluminum profile	
Elastic modulus [N/mm ²]	70000
Ix [mm ⁴]	1650000
Iy [mm ⁴]	1870000
Weight	
Additional Weight per 100 mm [kg]	0.80
Basic Weight [kg]	10.6