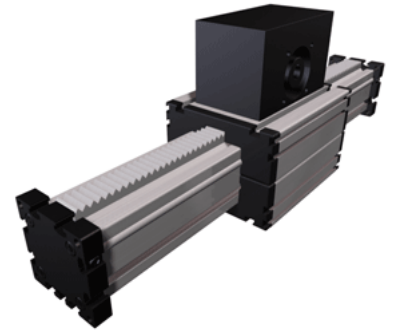
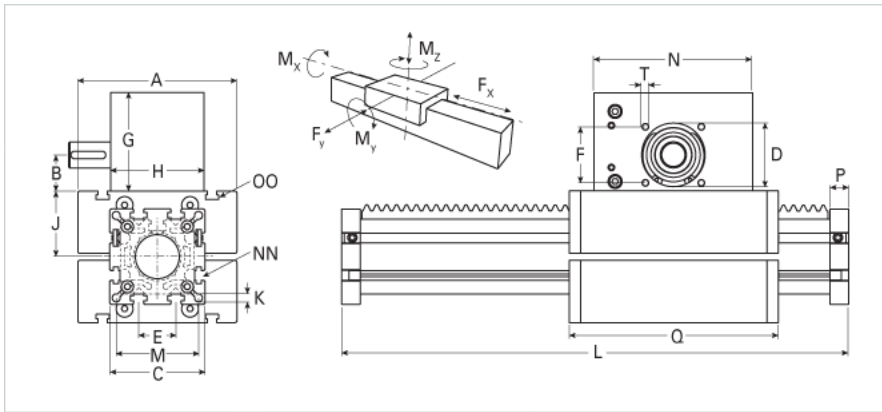


## ELZA 60S WAC

Call 800-321-7800 or visit us online at [www.nookindustries.com](http://www.nookindustries.com) to configure and order your ELZA 60S WAC today!



<b>Details</b>	
Size	60S
<b>Dimensions</b>	
Basic Length L [mm]	251
A [mm]	170
B [mm]	28.0
C [mm]	82
D [mm]	47
E [mm]	30
F [mm]	42
G [mm]	75
H [mm]	63
I [mm]	-
J [mm]	53
K [mm]	8.5
M [mm]	69
MM	-
N [mm]	130
NN	M8
OO	M8
P [mm]	16
Q [mm]	214
T	M6
X [mm]	10
<b>Speed</b>	
Speed Maximum [m/s]	2.5
<b>Forces and Torques</b>	
Fx dynamic [N]	1200
Fy dynamic [N]	3100
Fz dynamic [N]	1600
Mx dynamic [Nm]	65
My dynamic [Nm]	140
Mz dynamic [Nm]	170
Fx static [N]	1500
Fy static [N]	4100
Fz static [N]	2160
Mx static [Nm]	88
My static [Nm]	190
Mz static [Nm]	230
<b>Geometrical moments of inertia of aluminum profile</b>	
Elastic modulus [N/mm <sup>2</sup> ]	70000
Ix [mm <sup>4</sup> ]	679000
Iy [mm <sup>4</sup> ]	697000
<b>Weight</b>	
Additional Weight per 100 mm [kg]	0.68
Basic Weight [kg]	6.3