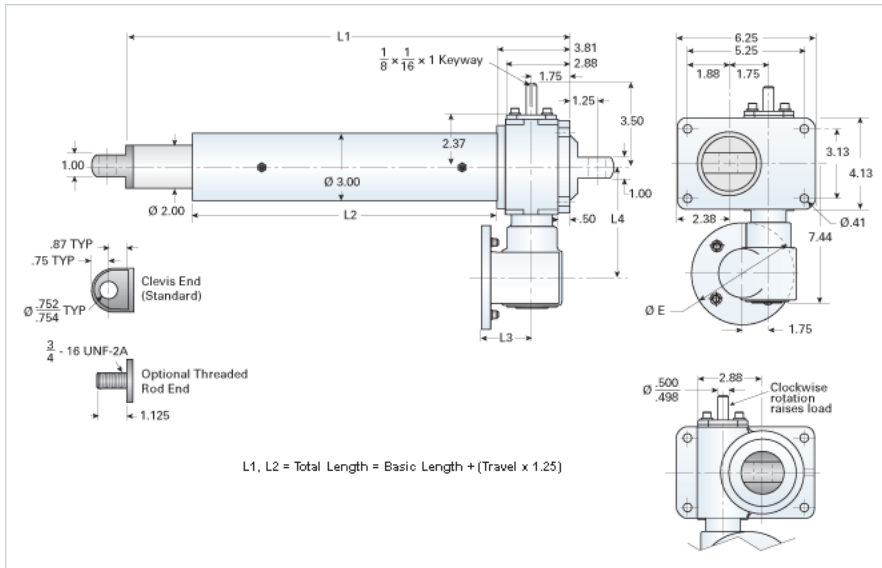


RAD-2562-HD

Call 800-321-7800 or visit us online at www.nookindustries.com to configure and order your RAD-2562-HD today!



Details

Gear Ratio Primary Reduction	6:1
Gear Ratio Secondary Reduction	12:1
Max Capacity [lb]	5000
Input Turns Per Inch Of Travel	288
Torque To Raise 1 lb. [in-lb]	0.0015
Ball Screw	1000-0250 SRT RA
Screw Lead [in]	0.250
Root Diameter [in]	0.820
Max HP [hp]	0.33

Weight

Basic Weight [lb]	46
Per Inch of Travel [lb]	1.05

Tube Dimensions

$L1$ Basic Length [in]	12.44
$L2$ Basic Length [in]	7.13

NEMA 56C Dimensions

$L3$ [in]	3.69
$L4$ [in]	5.63
E [in]	6.69

NEMA 180TC Dimensions

$L3$ [in]	-
$L4$ [in]	-
F [in]	-