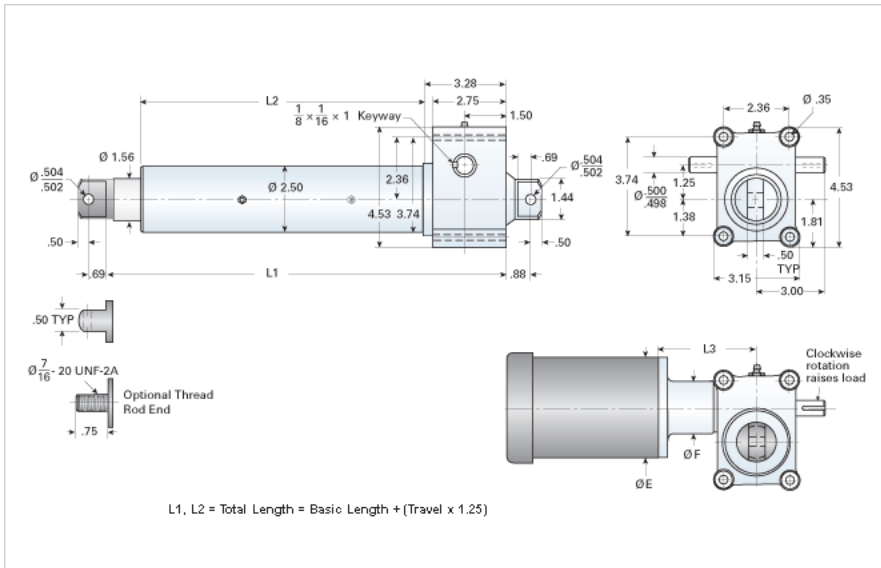


DD-1020-HL/02XX

Call 800-321-7800 or visit us online at www.nookindustries.com to configure and order your DD-1020-HL/02XX today!



Performance Specifications

Travel Rate [in/min]	43
Dynamic Capacity [lb]	800
Rated Life [in]	39000000
Motor Horse Power [hp]	0.25
Maximum Rod Reaction Torque [in-lb]	71
Std. Brake Torque [ft-lb]	0.8
Approximate Stopping Distance No Load [in]	0.15
Approximate Stopping Distance Full Load [in]	3.00

Details

Gear Ratio	20:1
Input Turns Per Inch Of Travel	40
Torque To Raise 1 lb. [in-lb]	0.0114
Max Capacity [lb]	2000
Max HP [hp]	0.25

Weight

Basic Weight [lb]	19
Per Inch of Travel [lb]	0.77

Tube Dimensions

L1 Basic Length [in]	10.75
L2 Basic Length [in]	6.38

NEMA 42 Dimensions

L3 [in]	4.48
E [in]	4.63
F [in]	2.63

NEMA 48 Dimensions

L3 [in]	4.48
E [in]	4.63
F [in]	3.12

NEMA 56C Dimensions

L3 [in]	5.71
E [in]	6.63
F [in]	3.75

NEMA 182TC Dimensions

L3 [in]	-
E [in]	-
F [in]	-

NEMA 184TC Dimensions

L3 [in]	-
E [in]	-
F [in]	-

NEMA 213TC Dimensions

L3 [in]	-
E [in]	-
F [in]	-