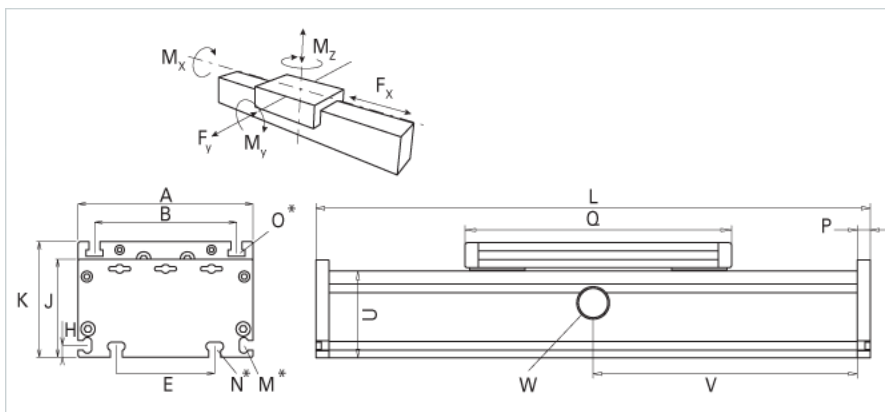


## DSR 120 Extended Carriage

Call 800-321-7800 or visit us online at [www.nookindustries.com](http://www.nookindustries.com) to configure and order your DSR 120 Extended Carriage today!



<b>Details</b>	
Size	120
<b>Dimensions</b>	
Basic Length L [mm]	200
A [mm]	120
B [mm]	96
E [mm]	78
H [mm]	10
J [mm]	68
K [mm]	79
M	M6
N	M5
O	M6
P [mm]	10
Q [mm]	156
U [mm]	60
<b>Speed</b>	
Speed Maximum [m/s]	5
<b>Forces and Torques</b>	
Fy [N] 10000 km	1405
Fz [N] 10000 km	1650
Mx [Nm] 10000 km	64
My [Nm] 10000 km	77
Mz [Nm] 10000 km	76
Fy [N] 5000 km	1776
Fz [N] 5000 km	2090
Mx [Nm] 5000 km	81
My [Nm] 5000 km	97
Mz [Nm] 5000 km	96
<b>Geometrical moments of inertia of aluminum profile</b>	
Elastic modulus [N/mm <sup>2</sup> ]	70000
Ix [mm <sup>4</sup> ]	561000
Iy [mm <sup>4</sup> ]	3419000
<b>Weight</b>	
Additional Weight per 100 mm [kg]	0.71
Basic Weight [kg]	3.2