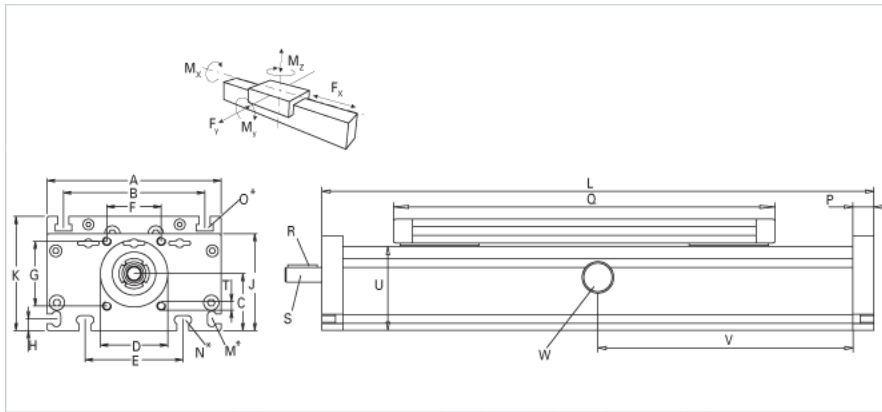
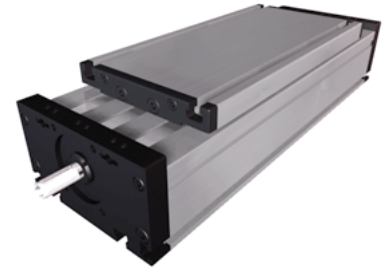


DSK 120 Extended Carriage

Call 800-321-7800 or visit us online at www.nookindustries.com to configure and order your DSK 120 Extended Carriage today!



Details

Size	120
Screw Options	16x5/16x10/16x16/20x20/25x5/25x10
Screw Type	Ball Screw

Dimensions

Basic Length L [mm]	200
A [mm]	120
B [mm]	96
C [mm]	39
D [mm]	47
E [mm]	78
F [mm]	42
G [mm]	42
H [mm]	10
J [mm]	68
K [mm]	79
M	M5
N	M6
O	M6
P [mm]	15
Q [mm]	156
Shaft R Key [mm]	3x3x25
Shaft S Diameter x Length [mm]	10 h6x27
T	M6
U [mm]	60

Forces and Torques

Fx [N] 10000 km	800
Fy [N] 10000 km	1405
Fz [N] 10000 km	1650
Mx [Nm] 10000 km	64
My [Nm] 10000 km	77
Mz [Nm] 10000 km	76
Fx [N] 5000 km	900
Fy [N] 5000 km	1776
Fz [N] 5000 km	2090
Mx [Nm] 5000 km	81
My [Nm] 5000 km	97
Mz [Nm] 5000 km	96
No-load torque [Nm]	1.1

Geometrical moments of inertia of aluminum profile

Elastic modulus [N/mm ²]	70000
Ix [mm ⁴]	561000
Iy [mm ⁴]	3419000

Weight

Weight Per 100 mm [kg]	0.9
Basic Weight [kg]	3.9