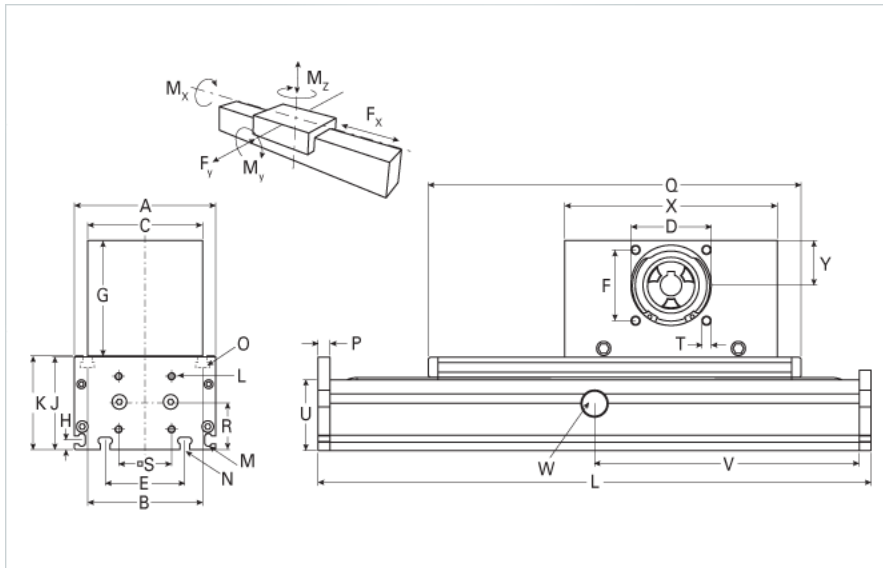
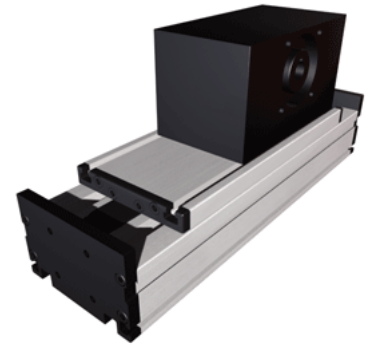


DLSZ 160 Extended Carriage 6 Split Rollers

Call 800-321-7800 or visit us online at www.nookindustries.com to configure and order your DLSZ 160 Extended Carriage 6 Split Rollers today!



Details

| | |
|---------------------|------|
| Size | 160 |
| Belt | 8M50 |
| mm/Rev | 256 |
| Number of Teeth | 32 |
| Pully Diameter [mm] | 81.5 |

Dimensions

| | |
|--------------------------------|---------|
| Basic Length L [mm] | 430 |
| A [mm] | 160 |
| B [mm] | 130 |
| C [mm] | 90 |
| D [mm] | 90 |
| E [mm] | 90 |
| F [mm] | 80 |
| G [mm] | 130 |
| H [mm] | 11 |
| J [mm] | 105 |
| K [mm] | 106 |
| M | M6 |
| N | M8 |
| O | M8 |
| P [mm] | 12 |
| Q [mm] | 390 |
| R [mm] | 53 |
| S [mm] | 60 |
| T | M10 |
| U [mm] | 80 |
| X [mm] | 270 |
| Y [mm] | 60 |
| Shaft Diameter and Length [mm] | 22 x 45 |
| Key | 6x6x40 |

Speed

| | |
|---------------------|---|
| Speed Maximum [m/s] | 6 |
|---------------------|---|

Forces and Torques

| | |
|-----------------------------|------|
| No-load torque [Nm] | 1.5 |
| Tensile force 0.2 sec [N] | 4300 |
| Tensile force permanent [N] | 4000 |
| Fx dynamic [N] | 3800 |
| Fy dynamic [N] | 2000 |
| Fz dynamic [N] | 2800 |
| Mx dynamic [Nm] | 400 |
| My dynamic [Nm] | 300 |
| Mz dynamic [Nm] | 150 |
| Fx static [N] | 4000 |
| Fy static [N] | 3000 |
| Fz static [N] | 3500 |
| Mx static [Nm] | 125 |
| My static [Nm] | 360 |

| | |
|---|----------|
| Mz static [Nm] | 180 |
| Geometrical moments of inertia of aluminum profile | |
| Elastic modulus [N/mm ²] | 70000 |
| Ix [mm ⁴] | 2220000 |
| Iy [mm ⁴] | 12200000 |
| Weight | |
| Additional Weight per 100 mm [kg] [.00} | 1.8 |
| Basic Weight [kg] | 27.0 |