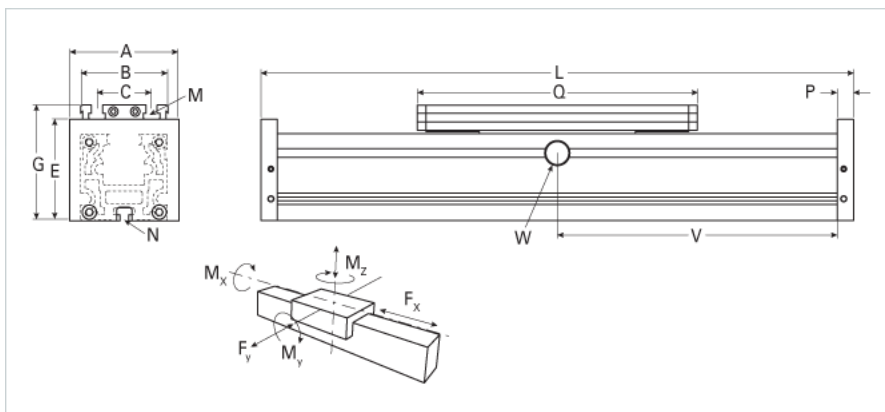
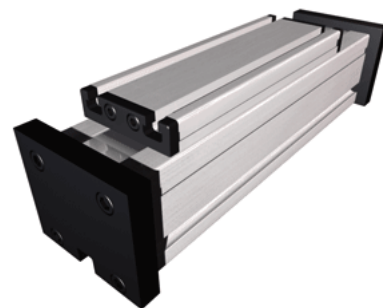


## QLR 60 Extended Carriage

Call 800-321-7800 or visit us online at [www.nookindustries.com](http://www.nookindustries.com) to configure and order your QLR 60 Extended Carriage today!



|   |        |
|---|--------|
| <b>Details</b>  |        |
| Size  | 60     |
| <b>Dimensions</b>   |        |
| Basic Length L [mm]                                       | 220    |
| A [mm]  | 80     |
| B [mm]  | 60     |
| C [mm]  | 36     |
| E [mm]  | 60     |
| G [mm]  | 79     |
| M   | M6     |
| N   | M5     |
| P [mm]  | 12     |
| Q [mm]  | 192    |
| <b>Speed</b>  |        |
| Speed Maximum [m/s]                                       | 4      |
| <b>Forces and Torques</b>                                 |        |
| Fx dynamic [N]  | -      |
| Fy dynamic [N]  | 500    |
| Fz dynamic [N]  | 650    |
| Mx dynamic [Nm]   | 10     |
| My dynamic [Nm]   | 50     |
| Mz dynamic [Nm]   | 30     |
| Fx static [N]   | -      |
| Fy static [N]   | 600    |
| Fz static [N]   | 900    |
| Mx static [Nm]  | 15     |
| My static [Nm]  | 60     |
| Mz static [Nm]  | 40     |
| <b>Geometrical moments of inertia of aluminum profile</b> |        |
| Elastic modulus [N/mm <sup>2</sup> ]                      | 70000  |
| Ix [mm <sup>4</sup> ]                                     | 430000 |
| Iy [mm <sup>4</sup> ]                                     | 480000 |
| <b>Weight</b>   |        |
| Additional Weight per 100 mm [kg]                         | 0.36   |
| Basic Weight [kg]   | 1.5    |