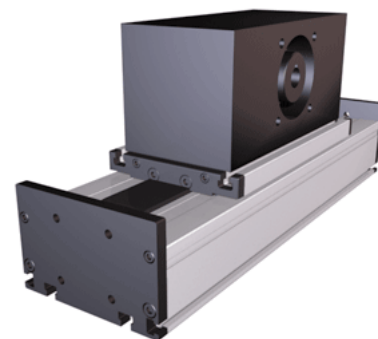
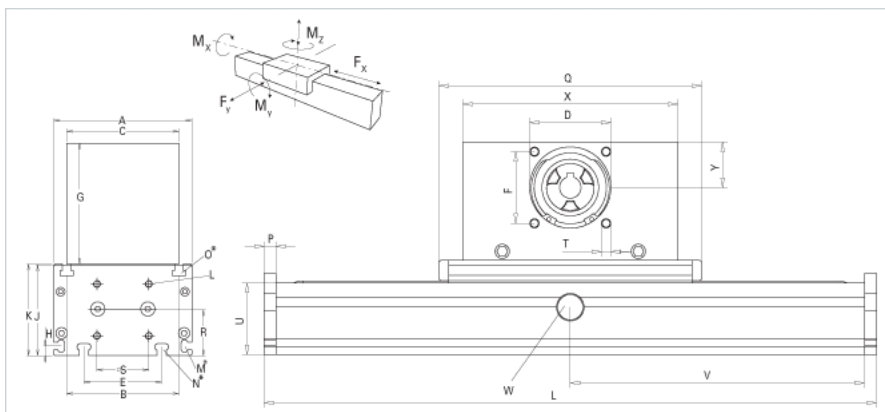


DSSZ 120

Call 800-321-7800 or visit us online at www.nookindustries.com to configure and order your DSSZ 120 today!



Details

Size	120
Belt	8M30
mm/Rev	192
Number of Teeth	24
Pully Diameter [mm]	61.1

Dimensions

Basic Length L [mm]	230
A [mm]	120
B [mm]	96
C [mm]	100
D [mm]	68
E [mm]	78
F [mm]	60
G [mm]	100
H [mm]	10
J [mm]	78
K [mm]	79
L [mm]	M6
M	M5
N	M6
O	M6
P [mm]	10
Q [mm]	200
R [mm]	39
S [mm]	42
T	M8
U [mm]	60
X [mm]	180
Y [mm]	39
Shaft Diameter and Length [mm]	18 x 45
Key	6x6x40

Speed

Speed Maximum [m/s]	5
---------------------	---

Forces and Torques

Fx [N] 10000 km	1800
Fy [N] 10000 km	1405
Fz [N] 10000 km	1650
Mx [Nm] 10000 km	64
My [Nm] 10000 km	77
Mz [Nm] 10000 km	76
Fx [N] 5000 km	1900
Fy [N] 5000 km	1776
Fz [N] 5000 km	2090
Mx [Nm] 5000 km	81
My [Nm] 5000 km	97
Mz [Nm] 5000 km	96
No-load torque [Nm]	1.4
Tensile force 0.2 sec [N]	2090
Tensile force permanent [N]	1900

Geometrical moments of inertia of aluminum profile

Elastic modulus [N/mm ²]	70000
Ix [mm ⁴]	461000
Iy [mm ⁴]	3419000

Weight

Additional Weight per 100 mm [kg]

1.80

Basic Weight [kg]

1.2