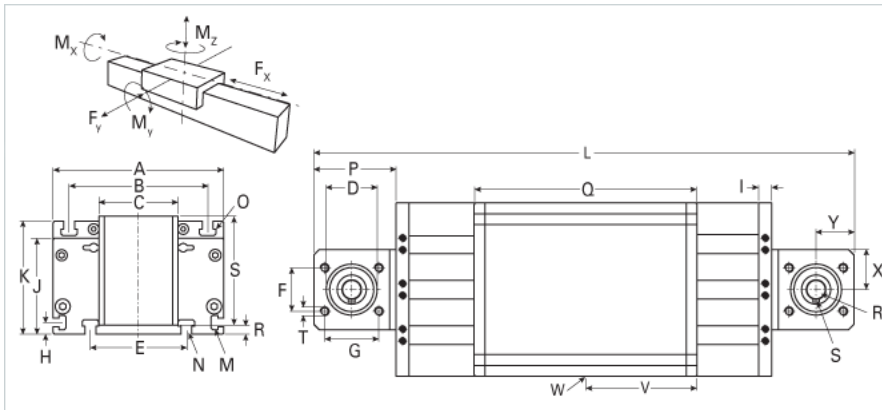
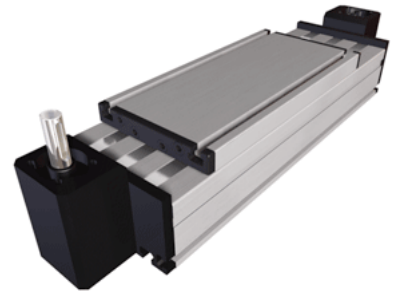


DLVZ 160 Extended Carriage 6 Split Rollers

Call 800-321-7800 or visit us online at www.nookindustries.com to configure and order your DLVZ 160 Extended Carriage 6 Split Rollers today!



| Details | |
|--|---------|
| Size | 160 |
| Belt | 5M25 |
| mm/Rev | 110 |
| Number of Teeth | 22 |
| Pully Diameter [mm] | 35.0 |
| Dimensions | |
| Basic Length L [mm] | 540 |
| A [mm] | 160 |
| B [mm] | 130 |
| C [mm] | 74 |
| D [mm] | 47 |
| E [mm] | 90 |
| F [mm] | 40 |
| G [mm] | 50 |
| H [mm] | 11 |
| I [mm] | 12 |
| J [mm] | 90 |
| K [mm] | 106 |
| M | M6 |
| N | M8 |
| O | M8 |
| P [mm] | 76 |
| Q [mm] | 300 |
| R [mm] | 8.5 |
| S [mm] | 102 |
| T | M8 |
| U [mm] | 80 |
| X [mm] | 37 |
| Y [mm] | 35 |
| Z [mm] | 18 |
| Shaft Diameter and Length [mm] | 18 x 45 |
| Key | 6x6x40 |
| Speed | |
| Speed Maximum [m/s] | 4 |
| Forces and Torques | |
| No-load torque [Nm] | 1.8 |
| Tensile force 0.2 sec [N] | 1150 |
| Tensile force permanent [N] | 1000 |
| Fx dynamic [N] | 840 |
| Fy dynamic [N] | 2000 |
| Fz dynamic [N] | 2800 |
| Mx dynamic [Nm] | 320 |
| My dynamic [Nm] | 300 |
| Mz dynamic [Nm] | 150 |
| Fx static [N] | 1000 |
| Fy static [N] | 3000 |
| Fz static [N] | 3500 |
| Mx static [Nm] | 400 |
| My static [Nm] | 360 |
| Mz static [Nm] | 180 |
| Geometrical moments of inertia of aluminum profile | |
| Elastic modulus [N/mm ²] | 70000 |
| Ix [mm ⁴] | 2220000 |

| | |
|-----------------------------------|----------|
| ly [mm ⁴] | 12200000 |
| Weight | |
| Additional Weight per 100 mm [kg] | 1.76 |
| Basic Weight [kg] | 11.2 |