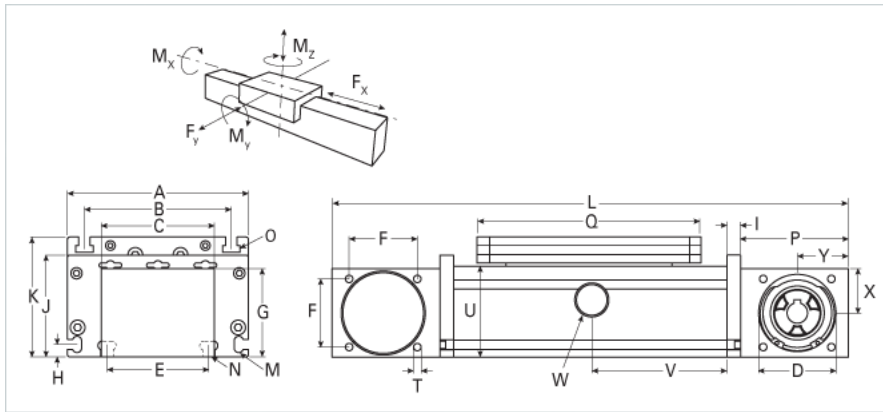
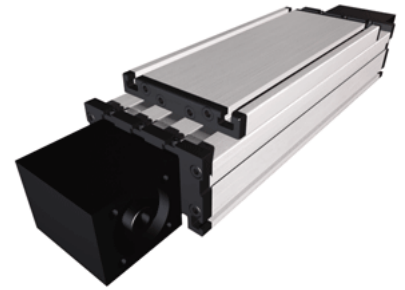


## DLZ 200 Extended Carriage 6 Split Rollers

Call 800-321-7800 or visit us online at [www.nookindustries.com](http://www.nookindustries.com) to configure and order your DLZ 200 Extended Carriage 6 Split Rollers today!



### Details

Size	200
Belt	8M50/8M70
mm/Rev	224
Number of Teeth	28

### Dimensions

Basic Length L [mm]	680
A [mm]	200
B [mm]	160
C [mm]	130
D [mm]	90
E [mm]	140
F [mm]	80
G [mm]	97
H [mm]	15
I [mm]	15
J [mm]	110
K [mm]	129
M	M8
N	M10
O	M10
P [mm]	110
Q [mm]	410
T	M10
U [mm]	100
X [mm]	49
Y [mm]	50

### Speed

Speed Maximum [m/s]	8
---------------------	---

### Forces and Torques

No-load torque [Nm]	4
Tensile force 0.2 sec [N]	4300
Tensile force permanent [N]	4000
Fx dynamic [N]	3800
Fy dynamic [N]	3100
Fz dynamic [N]	4400
Mx dynamic [Nm]	510
My dynamic [Nm]	480
Mz dynamic [Nm]	275
Fx static [N]	4000
Fy static [N]	4400
Fz static [N]	4900
Mx static [Nm]	600
My static [Nm]	560
Mz static [Nm]	310

### Geometrical moments of inertia of aluminum profile

Elastic modulus [N/mm <sup>2</sup> ]	70000
Ix [mm <sup>4</sup> ]	6380000
Iy [mm <sup>4</sup> ]	33500000

### Weight

Additional Weight per 100 mm [kg]	2.33
Basic Weight [kg]	23.4

### Values for Calculating Inertias

Pulley Material	Aluminum
-----------------	----------

Pulley Diameter [mm]	71.30
Effective Pulley Width [mm]	130
Belt Weight [kg/m]	0.355
Standard Carriage Weight [kg]	14.23
No-load torque (w/cover bands) [Nm]	4.0
No-load torque (w/o cover bands) [Nm]	2.0
Friction Coefficient	0.01