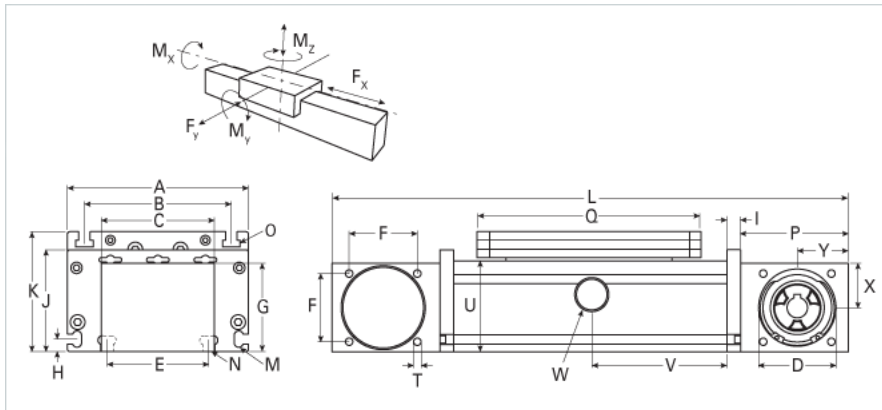
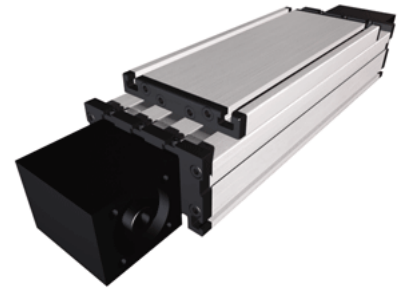


DLZ 160 Extended Carriage 6 Split Rollers

Call 800-321-7800 or visit us online at www.nookindustries.com to configure and order your DLZ 160 Extended Carriage 6 Split Rollers today!



| Details | |
|--|-----------|
| Size | 160 |
| Belt | 8M30/8M50 |
| mm/Rev | 176 |
| Number of Teeth | 22 |
| Dimensions | |
| Basic Length L [mm] | 540 |
| A [mm] | 160 |
| B [mm] | 130 |
| C [mm] | 100 |
| D [mm] | 68 |
| E [mm] | 90 |
| F [mm] | 60 |
| G [mm] | 78 |
| H [mm] | 11 |
| I [mm] | 12 |
| J [mm] | 90 |
| K [mm] | 106 |
| M | M6 |
| N | M8 |
| O | M8 |
| P [mm] | 95 |
| Q [mm] | 3000 |
| T | M8 |
| U [mm] | 80 |
| X [mm] | 39 |
| Y [mm] | 45 |
| Speed | |
| Speed Maximum [m/s] | 6 |
| Forces and Torques | |
| No-load torque [Nm] | 3.8 |
| Tensile force 0.2 sec [N] | 2090 |
| Tensile force permanent [N] | 1900 |
| Fx dynamic [N] | 1800 |
| Fy dynamic [N] | 2000 |
| Fz dynamic [N] | 2800 |
| Mx dynamic [Nm] | 320 |
| My dynamic [Nm] | 300 |
| Mz dynamic [Nm] | 150 |
| Fx static [N] | 1900 |
| Fy static [N] | 3000 |
| Fz static [N] | 3500 |
| Mx static [Nm] | 400 |
| My static [Nm] | 360 |
| Mz static [Nm] | 180 |
| Geometrical moments of inertia of aluminum profile | |
| Elastic modulus [N/mm ²] | 70000 |
| Ix [mm ⁴] | 2220000 |
| Iy [mm ⁴] | 12200000 |
| Weight | |
| Additional Weight per 100 mm [kg] | 1.69 |
| Basic Weight [kg] | 13.0 |
| Values for Calculating Inertias | |
| Pulley Material | Aluminum |

| | |
|---------------------------------------|-------|
| Pulley Diameter [mm] | 56.02 |
| Effective Pulley Width [mm] | 100 |
| Belt Weight [kg/m] | 0.256 |
| Standard Carriage Weight [kg] | 7.59 |
| No-load torque (w/cover bands) [Nm] | 2.1 |
| No-load torque (w/o cover bands) [Nm] | 1.5 |
| Friction Coefficient | 0.01 |