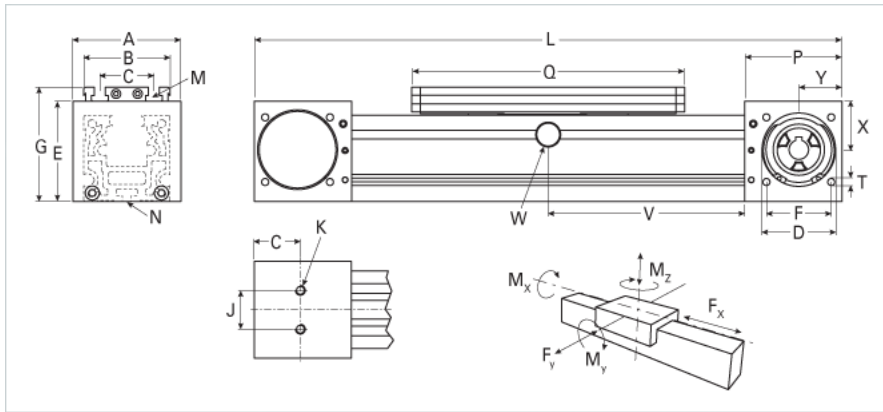
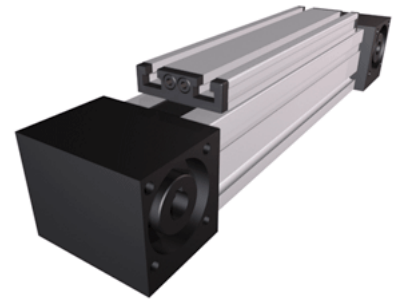


QLZ 100 Extended Carriage

Call 800-321-7800 or visit us online at www.nookindustries.com to configure and order your QLZ 100 Extended Carriage today!



Details

Size	100
Belt	8M50
mm/Rev	224
Number of Teeth	28

Dimensions

Basic Length L [mm]	550
A [mm]	130
B [mm]	100
C [mm]	66
D [mm]	90
E [mm]	110
F [mm]	80
G [mm]	129
H [mm]	55
J [mm]	50
K	M12
M	M10
N	M10
P [mm]	110
Q [mm]	320
T	M10
X [mm]	49
Y [mm]	50
Shaft Diameter and Length [mm]	22 x 45
Key	6x6x40

Speed

Speed Maximum [m/s]	7
---------------------	---

Forces and Torques

No-load torque [Nm]	1.2
Tensile force 0.2 sec [N]	4300
Tensile force permanent [N]	4000
Fx dynamic [N]	3800
Fy dynamic [N]	1500
Fz dynamic [N]	1700
Mx dynamic [Nm]	60
My dynamic [Nm]	110
Mz dynamic [Nm]	90
Fx static [N]	4000
Fy static [N]	1900
Fz static [N]	2100
Mx static [Nm]	85
My static [Nm]	140
Mz static [Nm]	110

Geometrical moments of inertia of aluminum profile

Elastic modulus [N/mm ²]	70000
Ix [mm ⁴]	4300000
Iy [mm ⁴]	4880000

Shaft Details

Key [mm]	6x6x40
Shaft Diameter h6 x Length [mm]	22 x 45

Weight

Additional Weight per 100 mm [kg]	1.45
Basic Weight [kg]	15.8

Values for Calculating Inertias

Pulley Material	Aluminum
Pulley Diameter [mm]	71.30
Effective Pulley Width [mm]	130
Belt Weight [kg/m]	0.355
Standard Carriage Weight [kg]	3.25
No-load torque [Nm]	1.2
Friction Coefficient	0.01