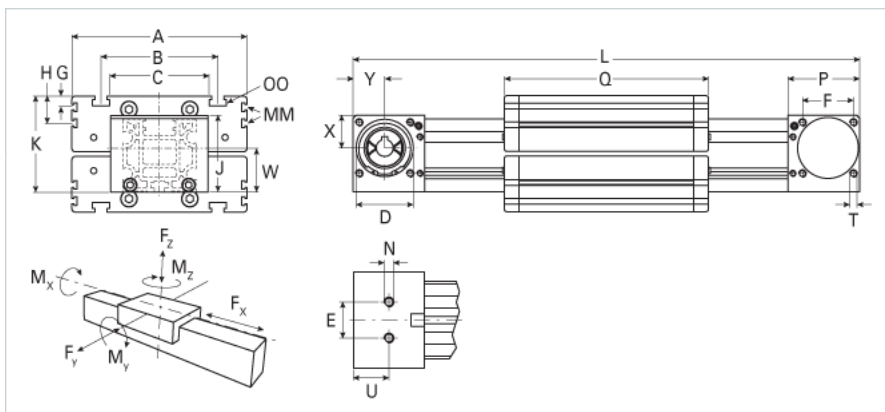
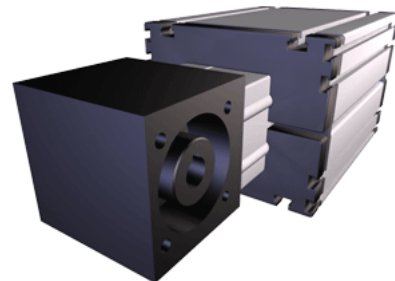


MLZ 80S WAC

Call 800-321-7800 or visit us online at www.nookindustries.com to configure and order your MLZ 80S WAC today!



Details	
Size	80S
Belt	8M30
mm/Rev	192
Number of Teeth	24
Dimensions	
Basic Length L [mm]	415
A [mm]	190
B [mm]	126
C [mm]	100
D [mm]	68
E [mm]	40
F [mm]	60
G [mm]	12.5
H [mm]	30
J [mm]	93
K [mm]	111
MM	M6
N	M10
OO	M10
P [mm]	90
Q [mm]	234
T	M8
U [mm]	47.5
W [mm]	40
X [mm]	45
Y [mm]	40
Shaft Diameter and Length [mm]	18 x 45
Key	6x6x40
Speed	
Speed Maximum [m/s]	8
Forces and Torques	
No-load torque [Nm]	1.2
Tensile force 0.2 sec [N]	2090
Tensile force permanent [N]	1900
Fx dynamic [N]	1800
Fy dynamic [N]	3600
Fz dynamic [N]	1800
Mx dynamic [Nm]	140
My dynamic [Nm]	230
Mz dynamic [Nm]	220
Fx static [N]	1900
Fy static [N]	4600
Fz static [N]	3000
Mx static [Nm]	170
My static [Nm]	270
Mz static [Nm]	300
Geometrical moments of inertia of aluminum profile	
Elastic modulus [N/mm ²]	70000
Ix [mm ⁴]	1749000
Iy [mm ⁴]	1802000
Weight	
Additional Weight per 100 mm [kg]	1.00
Basic Weight [kg]	10.8

Values for Calculating Inertias

Pulley Material	Steel
Pulley Diameter [mm]	56.02
Effective Pulley Width [mm]	100
Belt Weight [kg/m]	0.256
Standard Carriage Weight [kg]	7.04
No-load torque [Nm]	1.2
Friction Coefficient	0.01