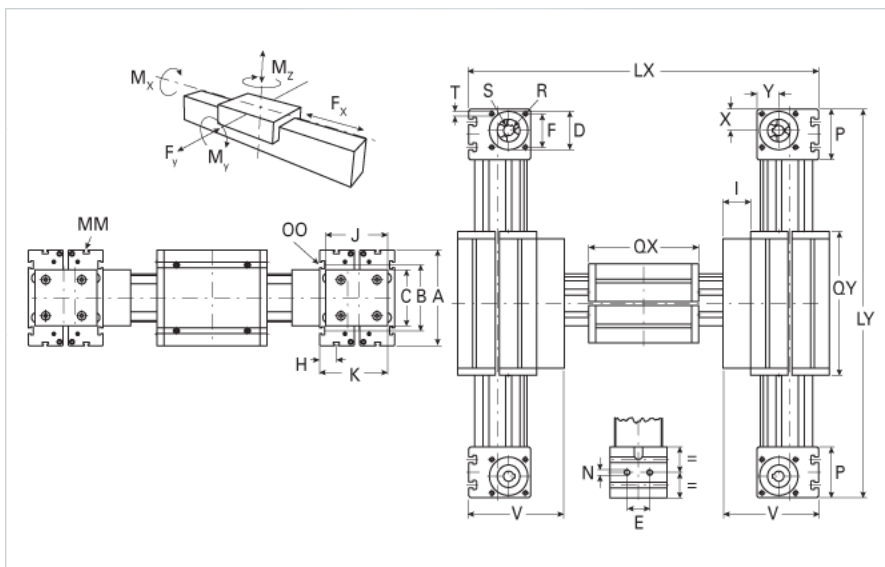
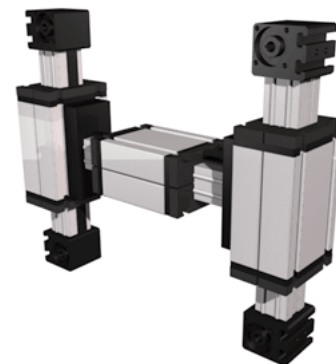


ELZU 100 X&Y-Axis WAC

Call 800-321-7800 or visit us online at www.nookindustries.com to configure and order your ELZU 100 X&Y-Axis WAC today!



Details

| | |
|-----------------|------|
| Size | 100 |
| Belt | 8M50 |
| mm/Rev | 256 |
| Number of Teeth | 32 |

Dimensions

| | |
|--------------------------------|---------|
| Basic length Lx [mm] | 774 |
| Basic length Ly [mm] | 606 |
| A [mm] | 230 |
| B [mm] | 155 |
| C [mm] | 130 |
| D [mm] | 90 |
| E [mm] | 50 |
| F [mm] | 80 |
| G [mm] | - |
| H [mm] | 30 |
| I [mm] | 69 |
| J [mm] | 135 |
| K [mm] | 154 |
| MM | M10 |
| N | M12 |
| OO | M12 |
| P [mm] | 110 |
| Qx [mm] | 316 |
| Qy [mm] | 376 |
| T | M10 |
| V [mm] | 223 |
| X [mm] | 50 |
| Y [mm] | 50 |
| Shaft Diameter and Length [mm] | 22 x 45 |
| Key | 6x6x40 |

Speed

| | |
|---------------------|---|
| Speed Maximum [m/s] | 8 |
|---------------------|---|

Forces and Torques

| | |
|-----------------------------|------|
| No-load torque [Nm] | 2.6 |
| Tensile force 0.2 sec [N] | 4000 |
| Tensile force permanent [N] | 3600 |
| Fx dynamic [N] | 3800 |
| Fy dynamic [N] | 6500 |
| Fz dynamic [N] | 2200 |
| Mx dynamic [Nm] | 230 |
| My dynamic [Nm] | 270 |
| Mz dynamic [Nm] | 500 |
| Fx static [N] | 4000 |
| Fy static [N] | 8000 |
| Fz static [N] | 3600 |
| Mx static [Nm] | 300 |
| My static [Nm] | 400 |

| | |
|---|----------|
| Mz static [Nm] | 750 |
| Geometrical moments of inertia of aluminum profile | |
| Elastic modulus [N/mm ²] | 70000 |
| Ix [mm ⁴] | 4440000 |
| Iy [mm ⁴] | 4480000 |
| Weight | |
| Additional Weight per 100 mm [kg] | 1.40 |
| Basic Weight [kg] | 47.3 |
| Values for Calculating Inertias | |
| Pulley Material | Aluminum |
| Pulley Diameter [mm] | 81.49 |
| Effective Pulley Width [mm] | 130.0 |
| Belt Weight [kg/m] | 0.355 |
| Standard Carriage Weight [kg] | 13.10 |
| No-load torque [Nm] | 1.4 |
| Friction Coefficient | 0.01 |