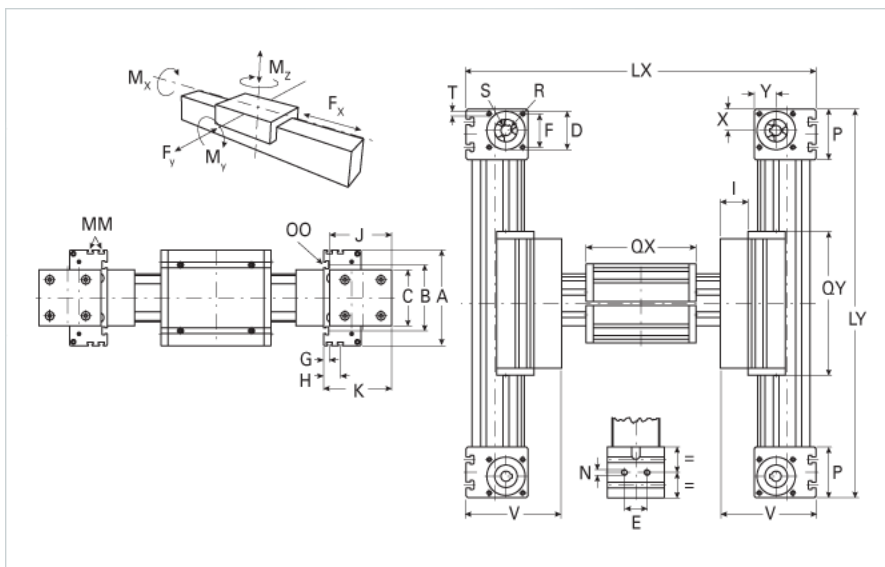
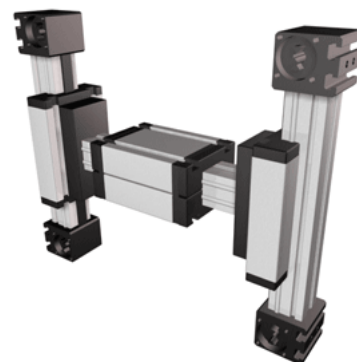


## ELZU 80 X-Axis WAC

Call 800-321-7800 or visit us online at [www.nookindustries.com](http://www.nookindustries.com) to configure and order your ELZU 80 X-Axis WAC today!



### Details

Size	80
Belt	8M30
mm/Rev	192
Number of Teeth	24

### Dimensions

Basic length Lx [mm]	551
Basic length Ly [mm]	435
A [mm]	170
B [mm]	117
C [mm]	100
D [mm]	68
E [mm]	40
F [mm]	60
G [mm]	10
H [mm]	30
I [mm]	44
J [mm]	110
K [mm]	121
MM	M6
N	M10
OO	M10
P [mm]	90
Qx [mm]	210
Qy [mm]	244
T	M8
V [mm]	165
X [mm]	39
Y [mm]	38
Shaft Diameter and Length [mm]	18 x 45
Key	6x6x40

### Speed

Speed Maximum [m/s]	6
---------------------	---

### Forces and Torques

No-load torque [Nm]	1.8
Tensile force 0.2 sec [N]	2090
Tensile force permanent [N]	1900
Fx dynamic [N]	1800
Fy dynamic [N]	2000
Fz dynamic [N]	1100
Mx dynamic [Nm]	55
My dynamic [Nm]	80
Mz dynamic [Nm]	120
Fx static [N]	1900
Fy static [N]	3000
Fz static [N]	1700
Mx static [Nm]	90
My static [Nm]	110

Mz static [Nm]	150
<b>Geometrical moments of inertia of aluminum profile</b>	
Elastic modulus [N/mm <sup>2</sup> ]	70000
Ix [mm <sup>4</sup> ]	1899000
Iy [mm <sup>4</sup> ]	1997000
<b>Weight</b>	
Additional Weight per 100 mm [kg]	1.00
Basic Weight [kg]	31.0
<b>Values for Calculating Inertias</b>	
Pulley Material	Steel
Pulley Diameter [mm]	61.12
Effective Pulley Width [mm]	100.0
Belt Weight [kg/m]	0.256
Standard Carriage Weight X Axis [kg]	5.29
Standard Carriage Weight Y Axis [kg]	2.64
No-load torque [Nm]	0.9
Friction Coefficient	0.01