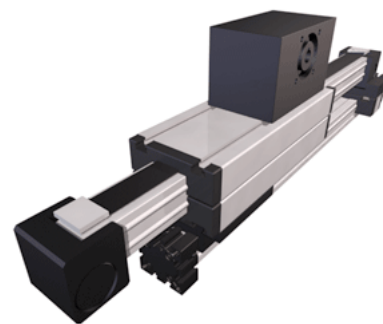
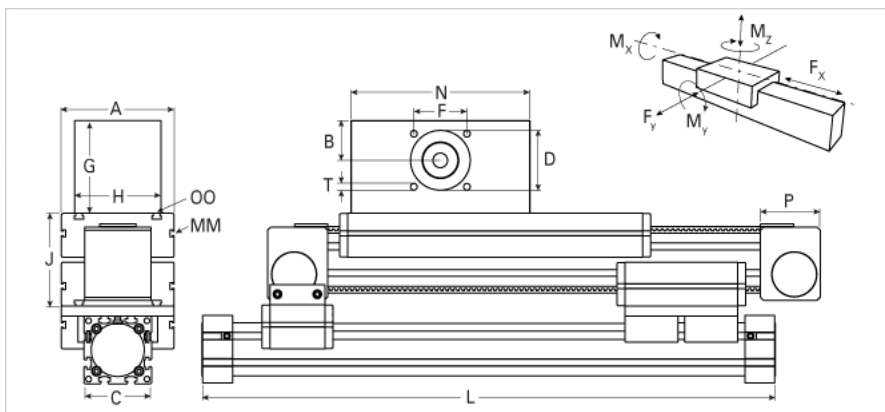


ELZT 100 Extended Carriage Standard Extension

Call 800-321-7800 or visit us online at www.nookindustries.com to configure and order your ELZT 100 Extended Carriage Standard Extension today!



| Details | |
|--|---------|
| Size | 100 |
| Belt | 8M100 |
| mm/Rev | 304 |
| Number of Teeth | 388 |
| Pully Diameter [mm] | 96.8 |
| Dimensions | |
| Basic Length L [mm] | 755 |
| A [mm] | 230 |
| B [mm] | 62 |
| C [mm] | 130 |
| D [mm] | 110 |
| F [mm] | 100 |
| G [mm] | 143 |
| H [mm] | 160 |
| I [mm] | 30 |
| J [mm] | 178 |
| MM | M10 |
| N [mm] | 310 |
| OO | M10 |
| P [mm] | 110 |
| Q [mm] | 575 |
| T | M10 |
| V [mm] | - |
| Shaft Diameter and Length [mm] | 30 x 55 |
| Key | 8x7x40 |
| Speed | |
| Speed Maximum [m/s] | 8 |
| Forces and Torques | |
| No-load torque [Nm] | 2.4 |
| Tensile force 0.2 sec [N] | 4300 |
| Tensile force permanent [N] | 4000 |
| Fy dynamic [N] | 6500 |
| Fx dynamic [N] | 3500 |
| Fz dynamic [N] | 2200 |
| Mx dynamic [Nm] | 230 |
| My dynamic [Nm] | 270 |
| Mz dynamic [Nm] | 500 |
| Fx static [N] | 4000 |
| Fy static [N] | 8000 |
| Fz static [N] | 3600 |
| Mx static [Nm] | 300 |
| My static [Nm] | 400 |
| Mz static [Nm] | 750 |
| Geometrical moments of inertia of aluminum profile | |
| Elastic modulus [N/mm ²] | 70000 |
| Ix [mm ⁴] | 4440000 |
| Iy [mm ⁴] | 4480000 |
| Weight | |
| Additional Weight per 100 mm [kg] | 1.95 |
| Basic Weight [kg] | 40.6 |