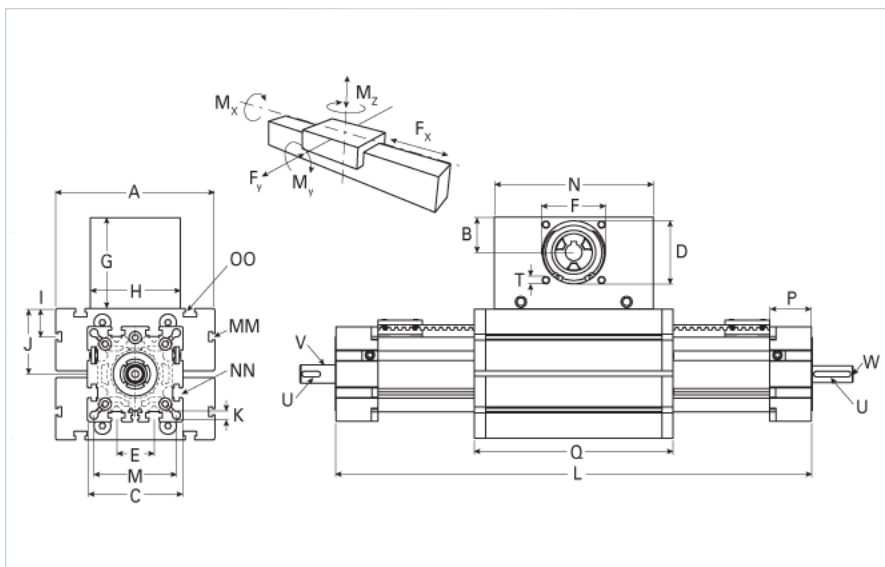
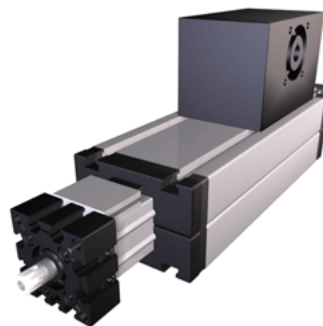


ELSD 100 WAC Wide Belt Extended Carriage

Call 800-321-7800 or visit us online at www.nookindustries.com to configure and order your ELSD 100 WAC Wide Belt Extended Carriage today!



Details

Size	100
Belt	8M70
mm/Rev	304
Number of Teeth	38
Pully Diameter [mm]	96.8

Dimensions

Basic Length L [mm]	781
A [mm]	230
B [mm]	62
C [mm]	130
D [mm]	110
E [mm]	50
F [mm]	100
G [mm]	143
H [mm]	160
I [mm]	29
J [mm]	89
K [mm]	10.5
M [mm]	112
MM	M10
N [mm]	310
OO	M10
P [mm]	55
Q [mm]	591
T	M10
X [mm]	-
V (Z Drive End) [mm]	22 x 35
U (Z Drive End) [mm]	6x6x30
V (Z Load End) [mm]	25 x 35
U (Z Load End) [mm]	8x7x30
W (Z Load End) [mm]	M12x25
Shaft Diameter and Length [mm]	22 x 45
Key	6x6x40

Speed

Speed Maximum [m/s]	8
---------------------	---

Forces and Torques

No-load torque Stiction torque Mr [Nm]	0.1
No-load torque [Nm]	1.5
Tensile force 0.2 sec [N]	6350
Tensile force permanent [N]	5900
Fd [N]	400
Mr [Nm]	30
Fx dynamic [N]	5750
Fy dynamic [N]	6500
Fz dynamic [N]	2200
Mx dynamic [Nm]	230
My dynamic [Nm]	270

Mz dynamic [Nm]	500
Fx static [N]	5900
Fy static [N]	8000
Fz static [N]	3600
Mx static [Nm]	300
My static [Nm]	400
Mz static [Nm]	750
Geometrical moments of inertia of aluminum profile	
Elastic modulus [N/mm ²]	70000
Ix [mm ⁴]	4440000
Iy [mm ⁴]	4480000
Weight	
Additional Weight per 100 mm [kg]	1.70
Basic Weight [kg]	33.4