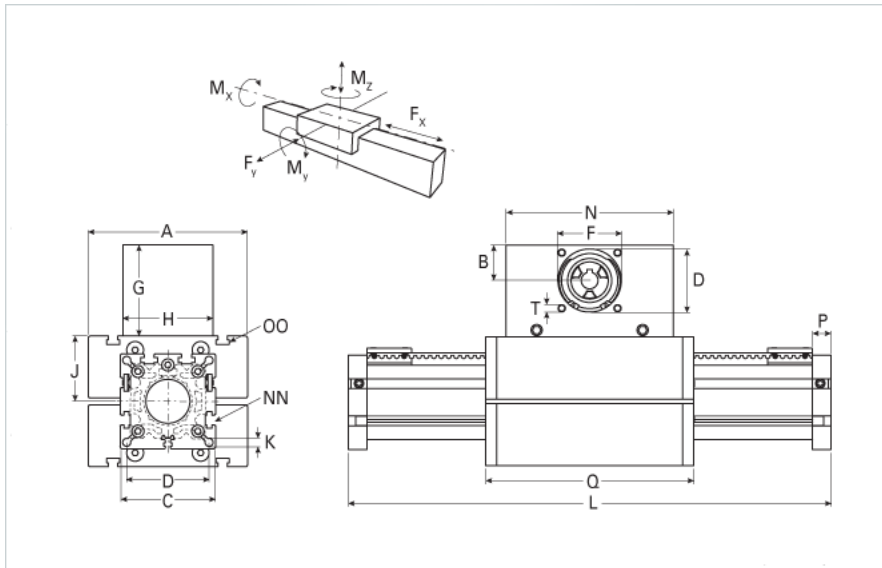
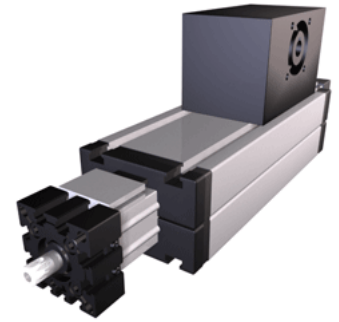


ELSZ 30 WAC Wide Belt Extended Carriage

Call 800-321-7800 or visit us online at www.nookindustries.com to configure and order your ELSZ 30 WAC Wide Belt Extended Carriage today!



Details

Size	30
Belt	5M15
mm/Rev	100
Number of Teeth	20

Dimensions

Basic Length L [mm]	291
A [mm]	70
B [mm]	20
C [mm]	42
D [mm]	37
E [mm]	13
F [mm]	32
G [mm]	55
H [mm]	60
I [mm]	-
J [mm]	26
K [mm]	4.2
MM	-
N [mm]	110
NN	M6
O [mm]	35
OO	M6
P [mm]	12
Q [mm]	207
T	M5
V [mm]	-
Shaft Diameter and Length [mm]	10X 27
Key	3x3x25

Speed

Speed Maximum [m/s]	2
---------------------	---

Forces and Torques

No-load torque [Nm]	0.5
Tensile force 0.2 sec [N]	480
Tensile force permanent [N]	390
Fx dynamic [N]	350
Fy dynamic [N]	60
Fz dynamic [N]	60
Mx dynamic [Nm]	5
My dynamic [Nm]	6
Mz dynamic [Nm]	7
Fx static [N]	390
Fy static [N]	90
Fz static [N]	90
Mx static [Nm]	10
My static [Nm]	13
Mz static [Nm]	14

Geometrical moments of inertia of aluminum profile

Elastic modulus [N/mm ²]	70000
lx [mm ⁴]	40900
ly [mm ⁴]	40000
Weight	
Additional Weight per 100 mm [kg]	0.16
Basic Weight [kg]	1.5
Values for Calculating Inertias	
Pulley Material - Drive Pulley (x1)	Steel
Pulley Material - Idler Pulleys (x2)	Aluminum
Pulley Diameter [mm]	31.8
Effective Pulley Width [mm]	60
Belt Weight [kg/m]	0.037
Standard Carriage Weight [kg]	1.33
No-load torque [Nm]	0.5
Friction Coefficient	0.01