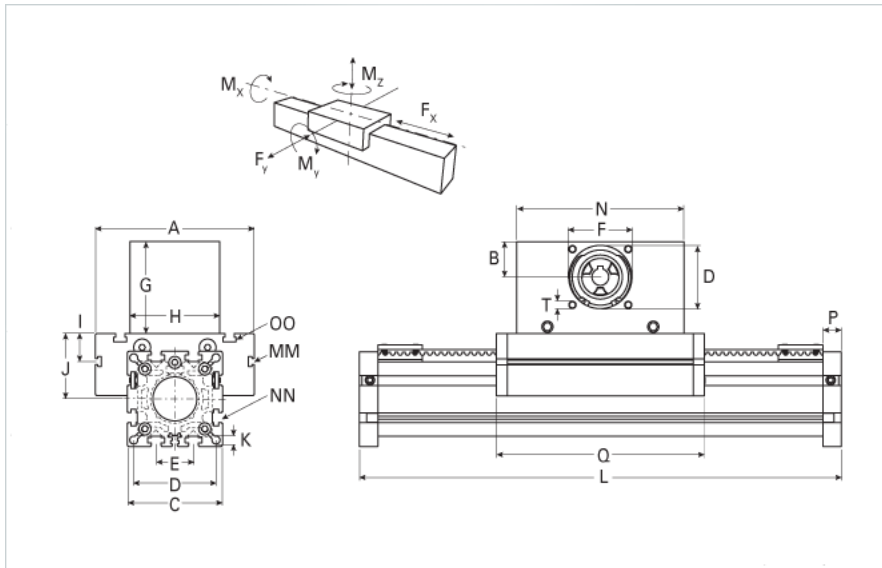
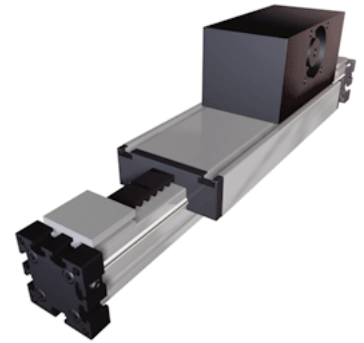


ELSZ 100 Wide Belt Extended Carriage

Call 800-321-7800 or visit us online at www.nookindustries.com to configure and order your ELSZ 100 Wide Belt Extended Carriage today!



Details

Size	100
Belt	8M70
mm/Rev	304
Number of Teeth	38

Dimensions

Basic Length L [mm]	800
A [mm]	230
B [mm]	62
C [mm]	130
D [mm]	110
E [mm]	50
F [mm]	100
G [mm]	143
H [mm]	160
I [mm]	30
J [mm]	89
K [mm]	10.5
MM	M10
N [mm]	310
NN	M12
O [mm]	112
OO	M10
P [mm]	30
Q [mm]	575
T	M10
V [mm]	-
Shaft Diameter and Length [mm]	30 x 55
Key	8x7x50

Speed

Speed Maximum [m/s]	8
---------------------	---

Forces and Torques

No-load torque [Nm]	1.5
Tensile force 0.2 sec [N]	6350
Tensile force permanent [N]	5900
Fx dynamic [N]	5750
Fy dynamic [N]	6500
Fz dynamic [N]	2200
Mx dynamic [Nm]	230
My dynamic [Nm]	270
Mz dynamic [Nm]	500
Fx static [N]	5900
Fy static [N]	8000
Fz static [N]	3600
Mx static [Nm]	300
My static [Nm]	400
Mz static [Nm]	750

Geometrical moments of inertia of aluminum profile

Elastic modulus [N/mm ²]	70000
Ix [mm ⁴]	4440000
Iy [mm ⁴]	4480000
Weight	
Additional Weight per 100 mm [kg]	1.60
Basic Weight [kg]	31.0
Values for Calculating Inertias	
Pulley Material - Drive Pulley (x1)	Aluminum
Pulley Material - Idler Pulleys (x2)	Aluminum
Pulley Diameter [mm]	96.8
Effective Pulley Width [mm]	160
Belt Weight [kg/m]	0.355
Standard Carriage Weight [kg]	10.92
No-load torque [Nm]	1.5
Friction Coefficient	0.01