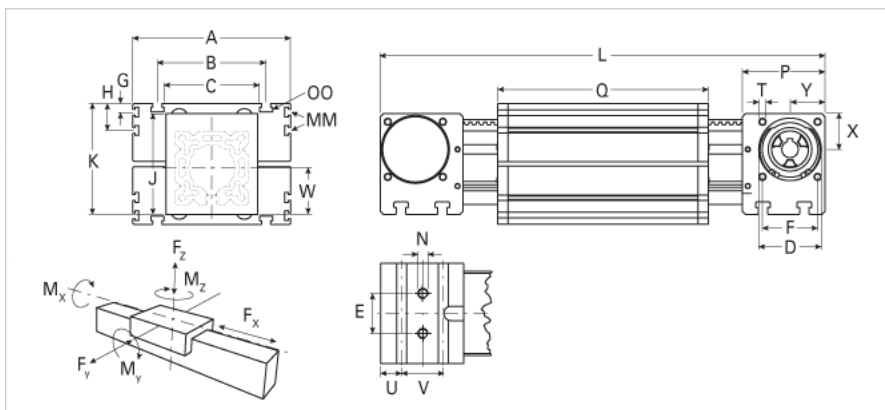
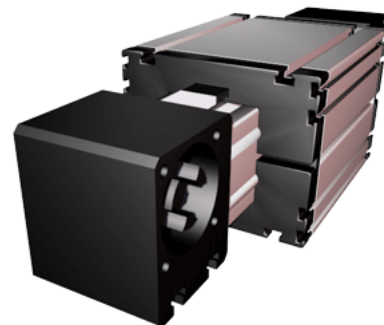


ELZex 80S WAC

Call 800-321-7800 or visit us online at www.nookindustries.com to configure and order your ELZex 80S WAC today!



Details

| | |
|-----------------|------|
| Size | 80S |
| Belt | 8M30 |
| mm/Rev | 192 |
| Number of Teeth | 24 |

Dimensions

| | |
|--------------------------------|---------|
| Basic Length L [mm] | 415 |
| A [mm] | 190 |
| B [mm] | 126 |
| C [mm] | 100 |
| D [mm] | 68 |
| E [mm] | 40 |
| F [mm] | 60 |
| G [mm] | 12.5 |
| H [mm] | 30 |
| J [mm] | 110 |
| K [mm] | 122 |
| MM | M6 |
| N | M10 |
| OO | M8 |
| P [mm] | 90 |
| Q [mm] | 234 |
| T | M8 |
| U [mm] | 22.5 |
| V [mm] | 45 |
| W [mm] | 51 |
| X [mm] | 39 |
| Y [mm] | 38 |
| Shaft Diameter and Length [mm] | 18 x 45 |
| Key | 6x6x40 |

Speed

| | |
|---------------------|---|
| Speed Maximum [m/s] | 1 |
|---------------------|---|

Forces and Torques

| | |
|-----------------------------|------|
| No-load torques [Nm] | 1.2 |
| Tensile force permanent [N] | 1083 |
| Fx dynamic [N] | 866 |
| Fy dynamic [N] | 1775 |
| Fz dynamic [N] | 842 |
| Mx dynamic [Nm] | 54 |
| My dynamic [Nm] | 70 |
| Mz dynamic [Nm] | 146 |
| Fx static [N] | 1083 |
| Fy static [N] | 2219 |
| Fz static [N] | 1052 |
| Mx static [Nm] | 67 |
| My static [Nm] | 87 |
| Mz static [Nm] | 182 |

Geometrical moments of inertia of aluminum profile

| | |
|--------------------------------------|---------|
| Elastic modulus [N/mm ²] | 70000 |
| Ix [mm ⁴] | 1899000 |
| Iy [mm ⁴] | 1897000 |

Weight

| | |
|-----------------------------------|------|
| Additional Weight per 100 mm [kg] | 1.00 |
| Basic Weight [kg] | 11.0 |

Values for Calculating Inertias

| | |
|-------------------------------|-------|
| Pulley Material | Steel |
| Pulley Diameter [mm] | 61.12 |
| Effective Pulley Width [mm] | 100 |
| Belt Weight [kg/m] | 0.256 |
| Standard Carriage Weight [kg] | 7.04 |
| No-load torque [Nm] | 1.2 |
| Friction Coefficient | 0.01 |