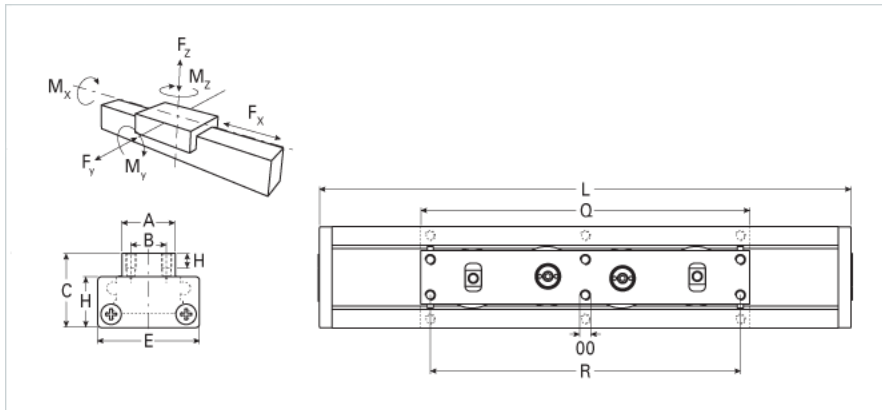
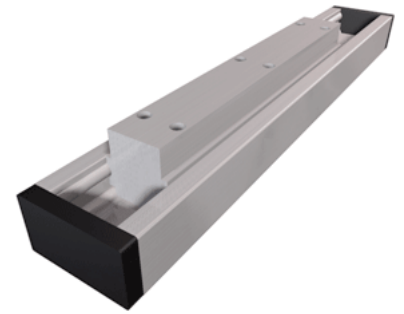


UL 60 Compact Carriage

Call 800-321-7800 or visit us online at www.nookindustries.com to configure and order your UL 60 Compact Carriage today!



Details

Size 60

Dimensions

A [mm]	29
B [mm]	20
C [mm]	43
E [mm]	60
H [mm]	30
Basic Length L [mm]	215
OO	M6x10
P [mm]	8
Q [mm]	194
R [mm]	180
S [mm]	7.5
T [mm]	11.0

Speed

Speed Maximum [m/s] 5

Forces and Torques

Fx dynamic [N]	-
Fy dynamic [N]	2000
Fz dynamic [N]	1100
Mx dynamic [N]	43
My dynamic [N]	70
Mz dynamic [N]	100
Fx static [N]	-
Fy static [N]	3000
Fz static [N]	1700
Mx static [N]	67
My static [N]	93
Mz static [N]	120

Geometrical moments of inertia of aluminum profile

Elastic modulus [N/mm ²]	70000
Ix [mm ⁴]	171000
Iy [mm ⁴]	610000

Weight

Additional Weight per 100 mm [kg]	0.20
Basic Weight [kg]	2.1