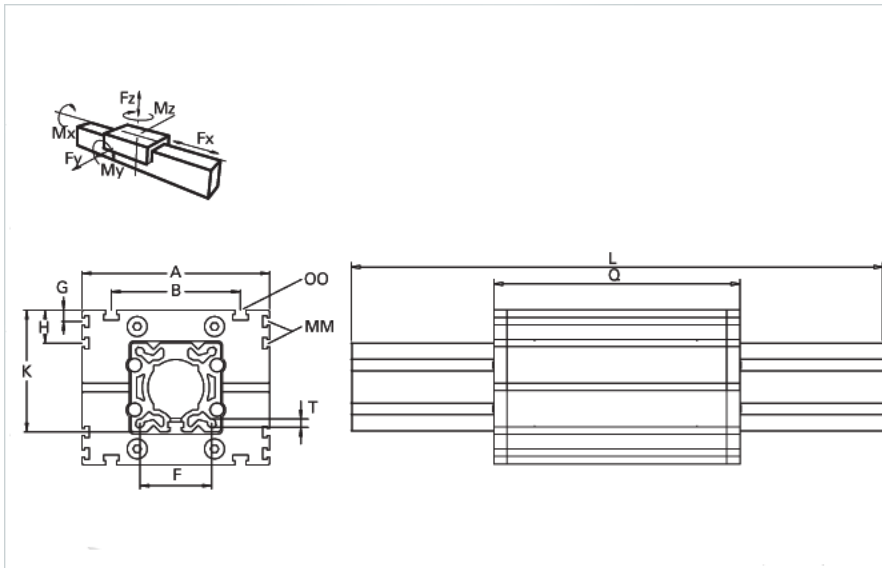
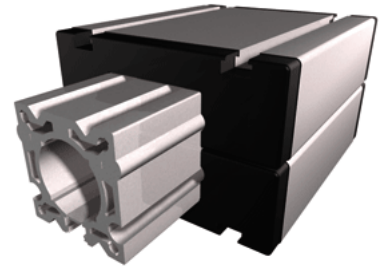


ER 100 WAC

Call 800-321-7800 or visit us online at www.nookindustries.com to configure and order your ER 100 WAC today!



Details

Size 100

Dimensions

| | |
|---------------------|-----|
| Basic Length L [mm] | 320 |
| A [mm] | 230 |
| B [mm] | 155 |
| F [mm] | 80 |
| G [mm] | - |
| H [mm] | 29 |
| J | M10 |
| K [mm] | 139 |
| MM | M10 |
| OO | M10 |
| Q [mm] | 316 |
| T-Diameter | M10 |

Forces and Torques

| | |
|-----------------|------|
| Fx dynamic [N] | - |
| Fy dynamic [N] | 6500 |
| Fz dynamic [N] | 2200 |
| Mx dynamic [Nm] | 230 |
| My dynamic [Nm] | 270 |
| Mz dynamic [Nm] | 500 |
| Fx static [N] | - |
| Fy static [N] | 8000 |
| Fz static [N] | 3600 |
| Mx static [Nm] | 300 |
| My static [Nm] | 400 |
| Mz static [Nm] | 750 |

Geometrical moments of inertia of aluminum profile

| | |
|--------------------------------------|---------|
| Elastic modulus [N/mm ²] | 70000 |
| Ix [mm ⁴] | 4440000 |
| Iy [mm ⁴] | 4480000 |

Weight

| | |
|-----------------------------------|------|
| Additional Weight per 100 mm [kg] | 1.50 |
| Basic Weight [kg] | 10.8 |