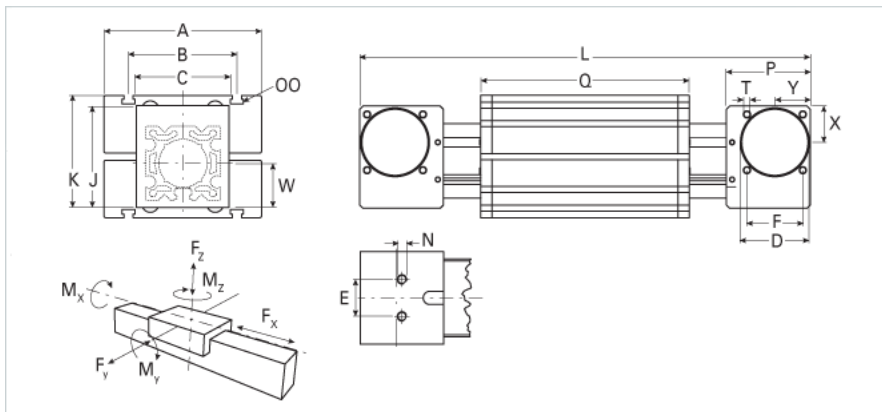
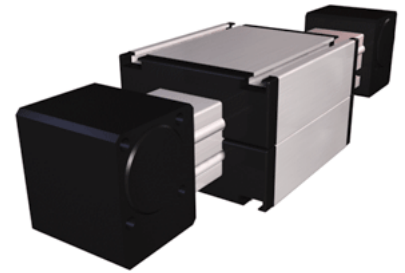


## ELRZ 30 WAC

Call 800-321-7800 or visit us online at [www.nookindustries.com](http://www.nookindustries.com) to configure and order your ELRZ 30 WAC today!



### Details

Size 30

### Dimensions

Basic Length L [mm]	170
A [mm]	70
B [mm]	56
C [mm]	42
D [mm]	28
E [mm]	13
F [mm]	25
G [mm]	-
H [mm]	-
J [mm]	44
K [mm]	47
MM	-
N	M6
OO	M6
P [mm]	36
Q [mm]	94
T-Diameter	M4
U [mm]	-
V [mm]	-
W [mm]	21
X [mm]	16
Y [mm]	16

### Forces and Torques

Fx dynamic [N]	-
Fy dynamic [N]	60
Fz dynamic [N]	60
Mx dynamic [Nm]	5
My dynamic [Nm]	6
Mz dynamic [Nm]	7
Fx static [N]	-
Fy static [N]	90
Fz static [N]	90
Mx static [Nm]	10
My static [Nm]	13
Mz static [Nm]	14

### Geometrical moments of inertia of aluminum profile

Elastic modulus [N/mm <sup>2</sup> ]	70000
Ix [mm <sup>4</sup> ]	40900
Iy [mm <sup>4</sup> ]	40000

### Weight

Additional Weight per 100 mm [kg]	0.13
Basic Weight [kg] [.0}	0.6