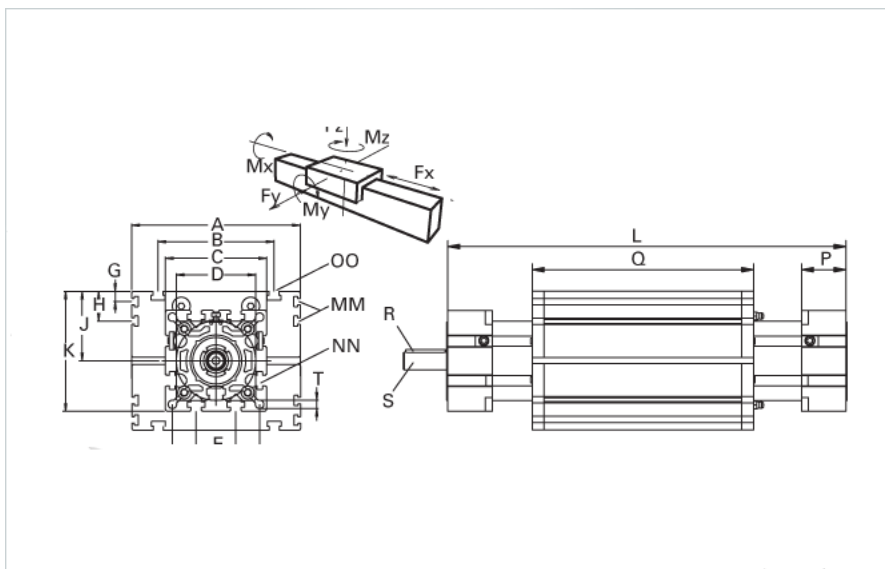
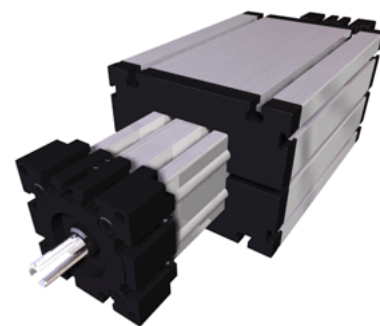


ELK 100 WAC

Call 800-321-7800 or visit us online at www.nookindustries.com to configure and order your ELK 100 WAC today!



Details

Size	100
Screw Options	32x5/32x10/32x20/32x32
Screw Type	Ball Screw

Dimensions

Basic Length L [mm]	426
A [mm]	230
B [mm]	155
C [mm]	130
D [mm]	110x1
E [mm]	50
F [mm]	112
G [mm]	-
H [mm]	29
J [mm]	89
K [mm]	154
MM	M10
NN	M10
OO	M10
P [mm]	55
Q [mm]	316
R [mm]	6x6x40
S Diameter x Length [mm]	22x45
T-Diameter [mm]	10.5

Forces and Torques

Fx dynamic [N]	8000
Fy dynamic [N]	6500
Fz dynamic [N]	2200
Mx dynamic [Nm]	230
My dynamic [Nm]	270
Mz dynamic [Nm]	500
Fx static [N]	10000
Fy static [N]	8000
Fz static [N]	3600
Mx static [Nm]	300
My static [Nm]	400
Mz static [Nm]	750

Geometrical moments of inertia of aluminum profile

Elastic modulus [N/mm ²]	70000
Ix [mm ⁴]	4440000
Iy [mm ⁴]	4480000

Weight

Additional Weight per 100 mm [kg]	2.00
Basic Weight [kg]	19.0