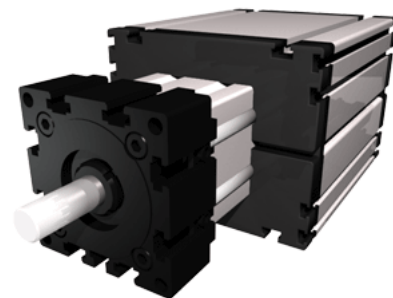
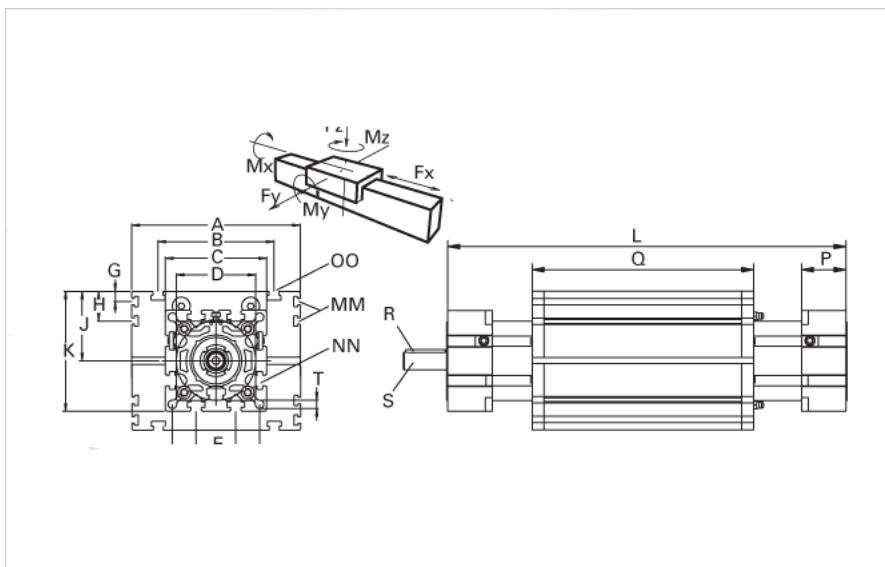


ELK 80 WAC

Call 800-321-7800 or visit us online at www.nookindustries.com to configure and order your ELK 80 WAC today!



Details

| | |
|---------------|------------------|
| Size | 80 |
| Screw Options | 32x5/25x25/32x10 |
| Screw Type | Ball Screw |

Dimensions

| | |
|--------------------------|--------|
| Basic Length L [mm] | 301 |
| A [mm] | 170 |
| B [mm] | 117 |
| C [mm] | 102 |
| D [mm] | 80x1 |
| E [mm] | 40 |
| F [mm] | 88 |
| G [mm] | 10 |
| H [mm] | 30 |
| J [mm] | 70 |
| K [mm] | 121 |
| MM | M6 |
| NN | M10 |
| OO | M10 |
| P [mm] | 45 |
| Q [mm] | 210 |
| R [mm] | 6x6x40 |
| S Diameter x Length [mm] | 18x45 |
| T-Diameter [mm] | 8.5 |

Forces and Torques

| | |
|-----------------|------|
| Fx dynamic [N] | 4000 |
| Fy dynamic [N] | 2000 |
| Fz dynamic [N] | 1100 |
| Mx dynamic [Nm] | 55 |
| My dynamic [Nm] | 80 |
| Mz dynamic [Nm] | 120 |
| Fx static [N] | 5000 |
| Fy static [N] | 3000 |
| Fz static [N] | 1700 |
| Mx static [Nm] | 90 |
| My static [Nm] | 110 |
| Mz static [Nm] | 150 |

Geometrical moments of inertia of aluminum profile

| | |
|--------------------------------------|---------|
| Elastic modulus [N/mm ²] | 70000 |
| Ix [mm ⁴] | 1899000 |
| Iy [mm ⁴] | 1897000 |

Weight

| | |
|-----------------------------------|------|
| Additional Weight per 100 mm [kg] | 1.48 |
| Basic Weight [kg] | 10.0 |