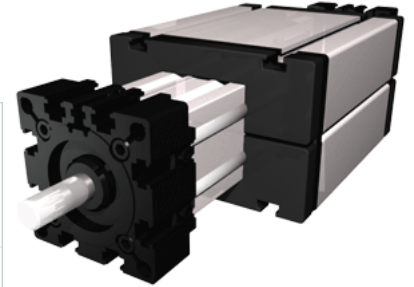
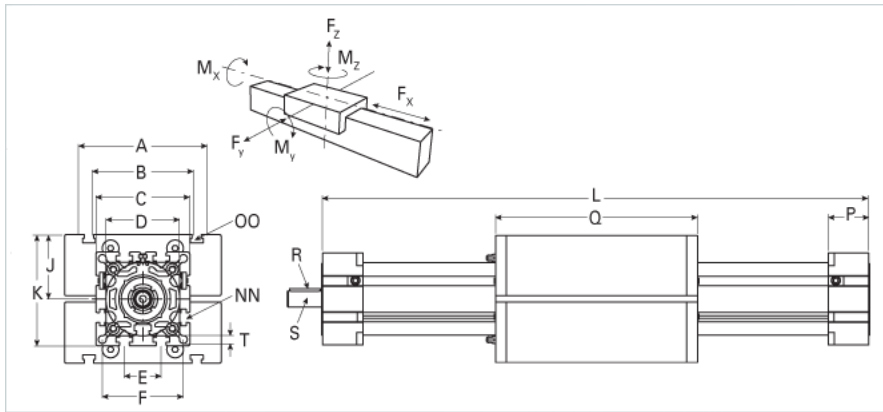


## ELT 60S WAC

Call 800-321-7800 or visit us online at [www.nookindustries.com](http://www.nookindustries.com) to configure and order your ELT 60S WAC today!



### Details

|               |             |
|---------------|-------------|
| Size          | 60S         |
| Screw Options | 24x5/24x10  |
| Screw Type    | Trapezoidal |

### Dimensions

|                          |        |
|--------------------------|--------|
| Basic Length L [mm]      | 290    |
| A [mm]                   | 170    |
| B [mm]                   | 108    |
| C [mm]                   | 82     |
| D [mm]                   | 62x1   |
| E [mm]                   | 30     |
| F [mm]                   | 69     |
| G [mm]                   | -      |
| H [mm]                   | -      |
| J [mm]                   | 49     |
| K [mm]                   | 90     |
| MM                       | -      |
| NN                       | M8     |
| OO                       | M8     |
| P [mm]                   | 35     |
| Q [mm]                   | 214    |
| R [mm]                   | 5x5x28 |
| S Diameter x Length [mm] | 14x35  |
| T-Diameter [mm]          | 8.5    |

### Forces and Torques

|                     |      |
|---------------------|------|
| No-load torque [Nm] | 0.6  |
| Fx dynamic [N]      | 2000 |
| Fy dynamic [N]      | 3100 |
| Fz dynamic [N]      | 1600 |
| Mx dynamic [Nm]     | 65   |
| My dynamic [Nm]     | 140  |
| Mz dynamic [Nm]     | 170  |
| Fx static [N]       | 2500 |
| Fy static [N]       | 4100 |
| Fz static [N]       | 2160 |
| Mx static [Nm]      | 88   |
| My static [Nm]      | 190  |
| Mz static [Nm]      | 230  |

### Geometrical moments of inertia of aluminum profile

|                                      |        |
|--------------------------------------|--------|
| Elastic modulus [N/mm <sup>2</sup> ] | 70000  |
| Ix [mm <sup>4</sup> ]                | 679000 |
| Iy [mm <sup>4</sup> ]                | 697000 |

### Weight

|                                   |      |
|-----------------------------------|------|
| Additional Weight per 100 mm [kg] | 0.89 |
| Basic Weight [kg]                 | 5.1  |