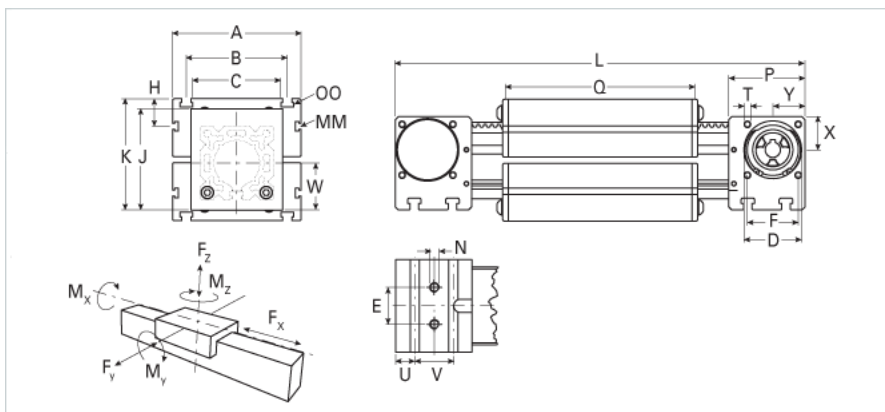
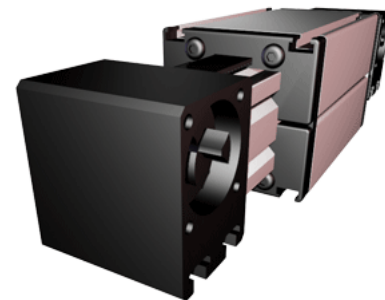


EGZ 80 WAC

Call 800-321-7800 or visit us online at www.nookindustries.com to configure and order your EGZ 80 WAC today!



Details	
Size	80
Belt	8M30
MM/REV	192
Number of Teeth	24
Dimensions	
A [mm]	140
B [mm]	110
Basic Length L [mm]	391
C [mm]	100
D [mm]	68
E [mm]	40
F [mm]	60
H [mm]	30
J [mm]	110
K [mm]	121
MM	M6
N	M10
OO	M10
P [mm]	90
Q [mm]	209
T	M8
U [mm]	22.5
V [mm]	45
W [mm]	51
X [mm]	39
Y [mm]	38
Shaft Key [mm]	6x6x40
Shaft Diameter h6 x Length [mm]	18 x 45
Shaft Diameter and Length [mm]	18 x 45
Key	6x6x40
Speed	
Speed Maximum [m/s]	2
Forces and Torques	
No Load Torque [Nm]	0.9
Tensile force 0.2 sec [N]	2090
Tensile force permanent [N]	1900
Fx dynamic [N]	1800
Fy dynamic [N]	900
Fz dynamic [N]	1000
Mx dynamic [Nm]	75
My dynamic [Nm]	200
Mz dynamic [Nm]	150
Fx static [N]	1900
Fy static [N]	1000
Fz static [N]	1125
Mx static [Nm]	82
My static [Nm]	220
Mz static [Nm]	165
Geometrical moments of inertia of aluminum profile	
Elastic modulus [N/mm ²]	70000
Ix [mm ⁴]	1923000
Iy [mm ⁴]	2109.45
Weight	

Additional Weight per 100 mm [kg]	0.82
Basic Weight [kg]	9.36
Values for Calculating Inertias	
Pulley Material	Steel
Pulley Diameter [mm]	61.12
Effective Pulley Width [mm]	100.0
Belt Weight [kg/m]	0.256
Standard Carriage Weight [kg]	5.29
No-load torque [Nm]	0.9
Friction Coefficient	0.01