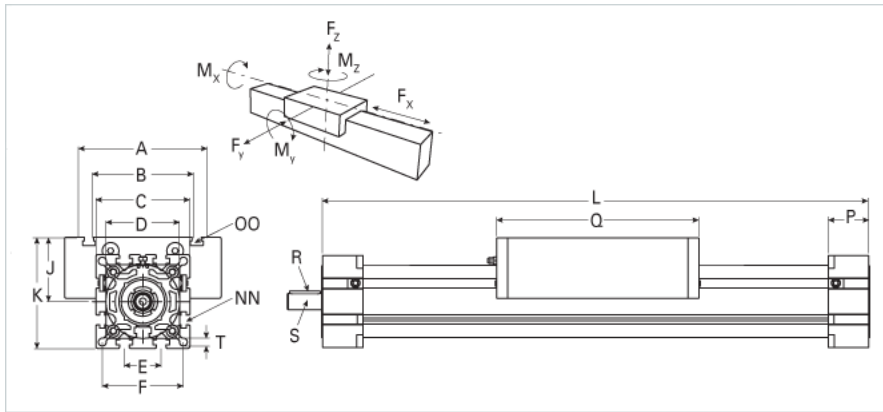
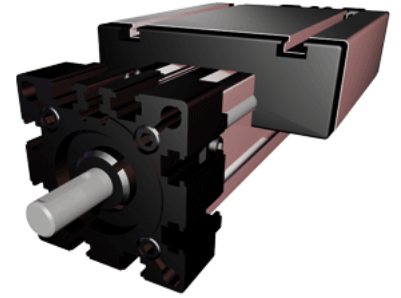


## ELK 60S

Call 800-321-7800 or visit us online at [www.nookindustries.com](http://www.nookindustries.com) to configure and order your ELK 60S today!



| Details  |                        |
|--|------------------------|
| Size   | 60S                    |
| Screw Options                                      | 25x5/20x20/25x10/20x50 |
| Screw Type   | Ball Screw             |
| Dimensions   |                        |
| Basic Length L [mm]                                | 270                    |
| A [mm]   | 170                    |
| B [mm]   | 108                    |
| C [mm]   | 82                     |
| D [mm]   | 62x1                   |
| E [mm]   | 30                     |
| F [mm]   | 69                     |
| G [mm]   | -                      |
| H [mm]   | -                      |
| J [mm]   | 49                     |
| K [mm]   | 94                     |
| MM   | -                      |
| NN   | M8                     |
| OO   | M8                     |
| P [mm]   | 35                     |
| Q [mm]   | 194                    |
| R [mm]   | 5x5x28                 |
| S Diameter x Length [mm]                           | 14x35                  |
| T-Diameter [mm]                                    | 8.5                    |
| Forces and Torques                                 |                        |
| Fx dynamic [N]                                     | 2000                   |
| Fy dynamic [N]                                     | 3100                   |
| Fz dynamic [N]                                     | 1600                   |
| Mx dynamic [Nm]                                    | 65                     |
| My dynamic [Nm]                                    | 140                    |
| Mz dynamic [Nm]                                    | 170                    |
| Fx static [N]                                      | 2500                   |
| Fy static [N]                                      | 4100                   |
| Fz static [N]                                      | 2160                   |
| Mx static [Nm]                                     | 88                     |
| My static [Nm]                                     | 190                    |
| Mz static [Nm]                                     | 230                    |
| Geometrical moments of inertia of aluminum profile |                        |
| Elastic modulus [N/mm <sup>2</sup> ]               | 70000                  |
| Ix [mm <sup>4</sup> ]                              | 679000                 |
| Iy [mm <sup>4</sup> ]                              | 697000                 |
| Weight   |                        |
| Additional Weight per 100 mm [kg]                  | 0.89                   |
| Basic Weight [kg]                                  | 5.1                    |