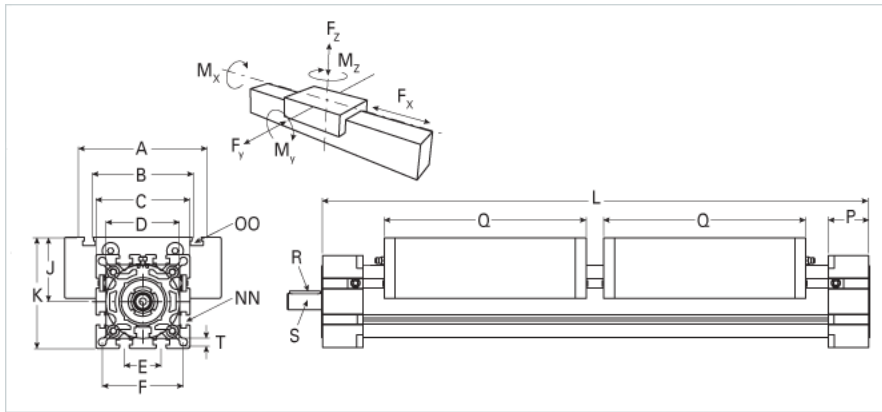
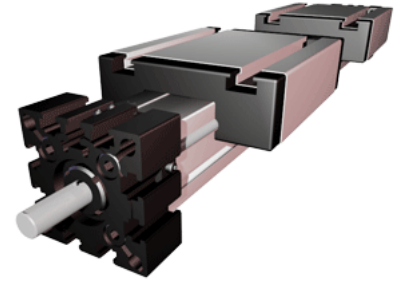


ELK 60S Dual Carriage

Call 800-321-7800 or visit us online at www.nookindustries.com to configure and order your ELK 60S Dual Carriage today!



| Details | |
|--|------------------|
| Size | 60S |
| Screw Options | 25x5/20x20/25x10 |
| Screw Type | Ball Screw |
| Dimensions | |
| Basic Length L [mm] | 460 |
| A [mm] | 170 |
| B [mm] | 108 |
| C [mm] | 82 |
| D [mm] | 62x1 |
| E [mm] | 30 |
| F [mm] | 69 |
| G [mm] | - |
| H [mm] | - |
| J [mm] | 49 |
| K [mm] | 94 |
| MM | - |
| NN | M8 |
| OO | M8 |
| P [mm] | 35 |
| Q [mm] | 194 |
| R [mm] | 5x5x28 |
| S Diameter x Length [mm] | 14 x 35 |
| T-Diameter [mm] | 8.5 |
| Forces and Torques | |
| No-load torque [Nm] | 0.6 |
| Fx dynamic [N] | 2000 |
| Fy dynamic [N] | 3100 |
| Fz dynamic [N] | 1600 |
| Mx dynamic [Nm] | 65 |
| My dynamic [Nm] | 140 |
| Mz dynamic [Nm] | 170 |
| Fx static [N] | 2500 |
| Fy static [N] | 4100 |
| Fz static [N] | 2160 |
| Mx static [Nm] | 88 |
| My static [Nm] | 190 |
| Mz static [Nm] | 230 |
| Geometrical moments of inertia of aluminum profile | |
| Elastic modulus [N/mm ²] | 70000 |
| Ix [mm ⁴] | 679000 |
| Iy [mm ⁴] | 697000 |
| Weight | |
| Additional Weight per 100 mm [kg] | 0.89 |
| Basic Weight [kg] | 10.1 |